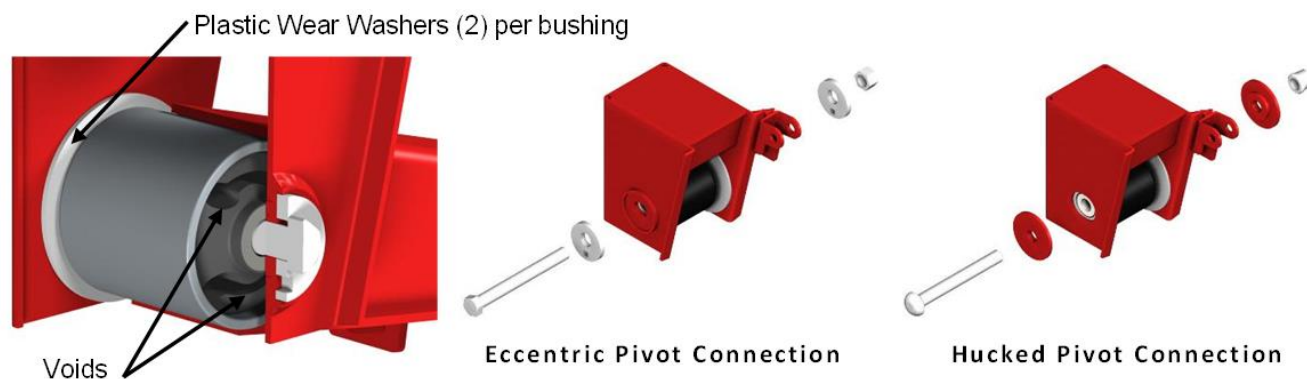
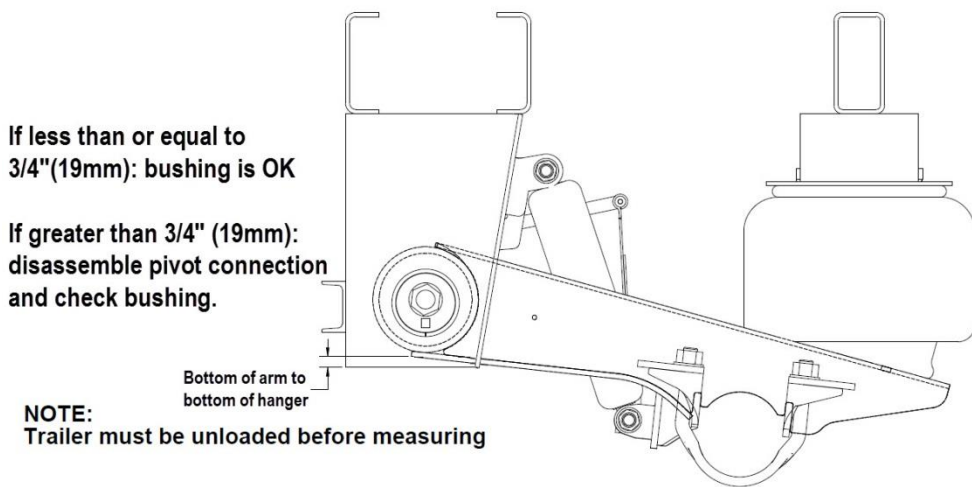


It is important to perform bushing inspections as part of a good preventative maintenance program. This type of inspection can significantly decrease the chances of severe tire and suspension wear due to excessive bushing wear by catching a potential problem early. Uneven tire wear can be a sign of bushing failure. Although the pivot bushing and wear washers are designed to provide a long life, abuse, neglect, overloading, and harsh environments can affect bushing life.



Bushings can normally be inspected from underneath the trailer without disassembly. The following is the recommended initial check.

With the trailer unloaded, ensure the trailer cannot move, is parked on a level surface, brakes are set, and tires are chocked prior to inspection. Take a measurement from the bottom of the trailing arm assembly at the pivot bushing sleeve to the bottom of the hanger assembly as shown below.



---

If the measurement is less than or equal to 3/4", the bushing is OK. If the measurement is greater than 3/4", the pivot connection must be disassembled to lower the trailing arm assembly for closer inspection.

Normal orientation of the bushing is to have the voids at top and bottom, which allows the suspension to flex properly over bumps. Therefore, you will see some movement up and down in the pivot during braking in forward, reverse, and during articulation. There should be no large cracks from the inner metal sleeve section of the bushing through the voids. If deep cracking has occurred, which will result in excessive up and down movement of the arm pivot sleeve or if the inner metal sleeve has separated from the rubber, the bushing must be replaced.

Plastic wear washers also play an important role in the longevity of the suspension and its components and are designed to keep the metal outer sleeve of the arm from coming in rotational contact with the hanger. If the wear washers are excessively worn and are not keeping the metal parts from touching, they must be replaced. This ensures that metal components are not contacting each other, which can lead to hanger failures.

If necessary, refer to publication *LIT-Bushing Tool* for bushing removal and installation instructions.