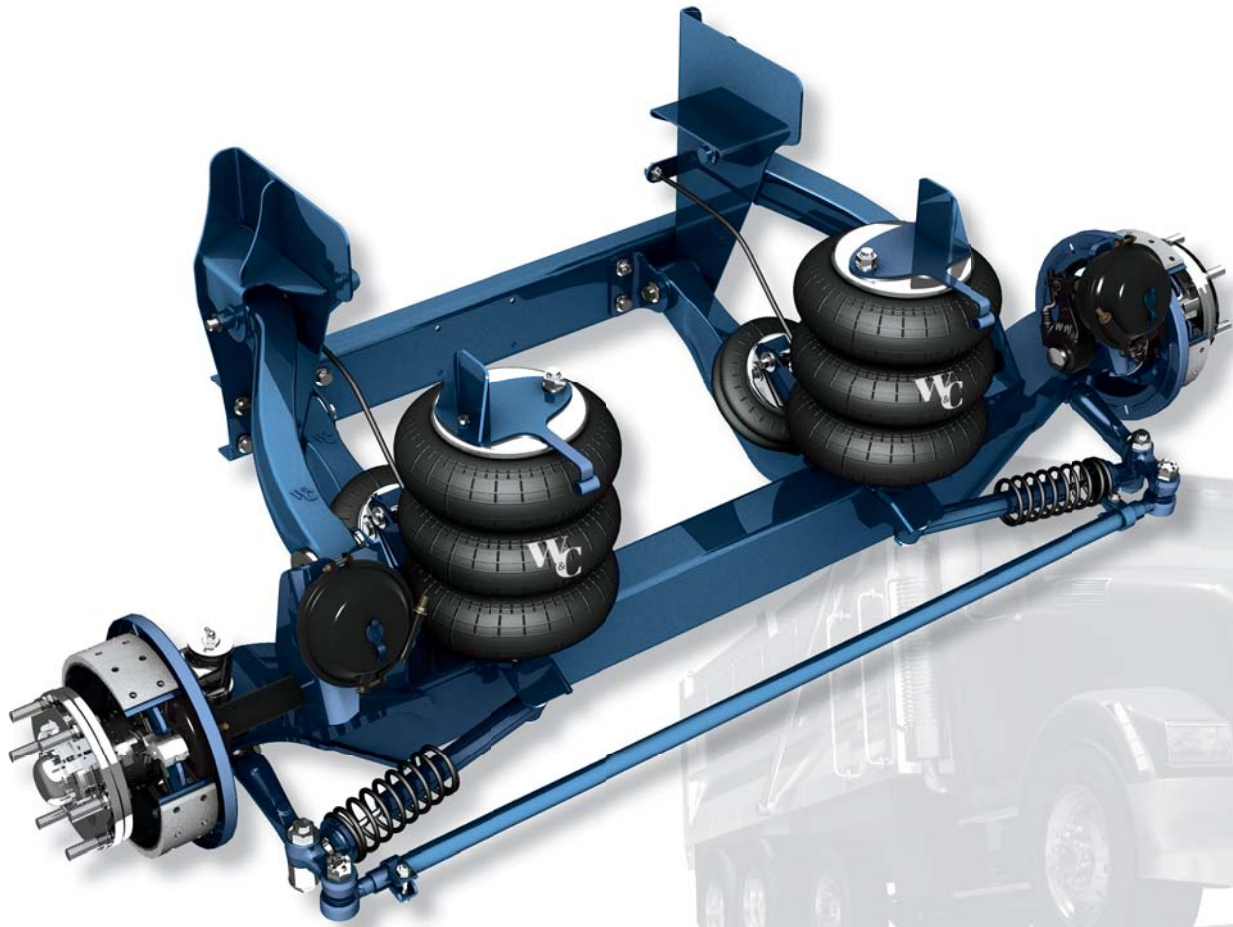


8K TRU-TRACK SUPER ALUMILITE

SELF-STEERING AXLE AND LIFT SUSPENSION SYSTEM

SL SERIES



SL8K-0893

The **SL8K-0893 Tru-Track Super Alumilite** with a rated capacity up to 8,000 pounds is one of the best sellers in the Tru-Track family. It incorporates our "quick-change ride height system." It is ideal for dump trucks.

- 8,000 pound suspension capacity
- Compact packaging design of 22.1 inches - SSR
- Ride Heights: 13 thru 19 inches
- 5-year limited warranty*

* Contact your local Watson & Chalin representative for complete warranty terms, conditions and limitations.

For more information, call 800.445.0736



Watson and Chalin is a brand of Hendrickson USA, L.L.C.

Integrated Suspension and Axle Assembly

Watson & Chalin continues to offer industry leading technology with their Truck and Trailer Steerable lift axle families. The Tru-Track family represents 30 years of experience, technology and durable products being offered by W&C.

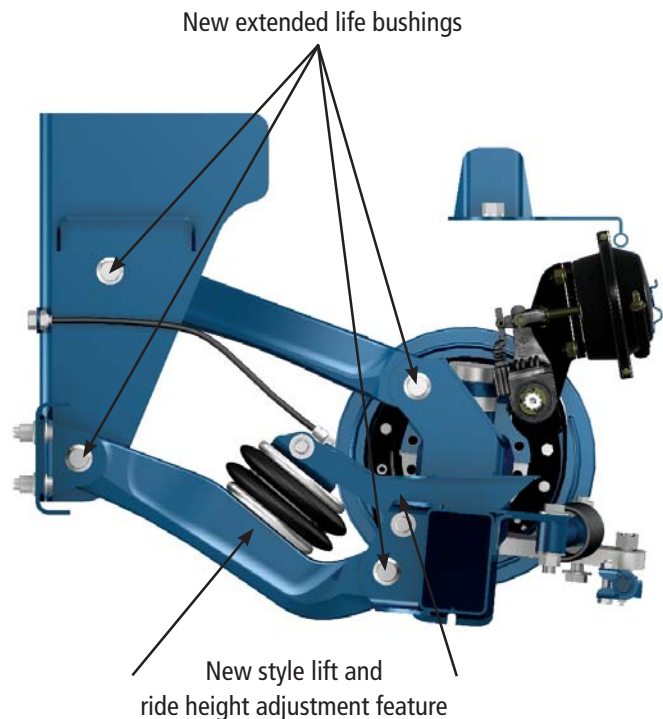
The SL8K-0893 Tru-Track member offers the industry a lightweight, compact design backed by an industry leading 5-year limited warranty*. So, when you are specing a vocational tractor remember W&C for cost effective, durable products that help protect your bottom line.

SL8K-0893 Specifications

Capacity:	8,000 pounds
Weight:	672 pounds
Travel:	12.25 inches
Lift:	8 inches
Ride Heights:	13 to 19 inches
Wheel Cut:	25 degrees
Packaging Space:	22.1 inches - SSR

- Fabricated axle, industry components
- Quick-change ride height system
- Reverse lock-out kit available
- Preset caster
- Parallelogram design
- Factory pre-plumbing available

* Contact your local Watson & Chalin representative for complete warranty terms, conditions and limitations.



Contact Watson & Chalin at 972.547.6020 for additional information.



Watson & Chalin Manufacturing Inc.
 725 E. University Drive, McKinney, Texas 75069
 972.547.6020 • 800.445.0736 • Fax 972.542.0097
www.watsonsuspensions.com

