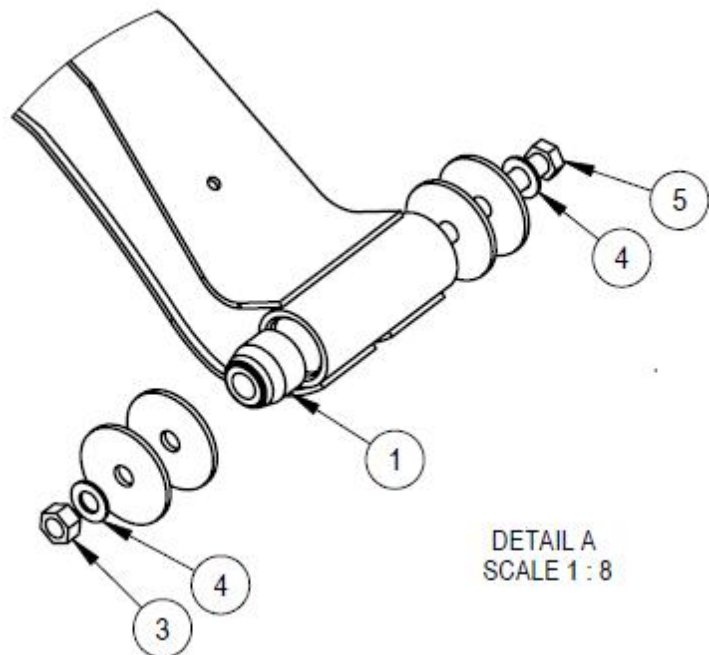
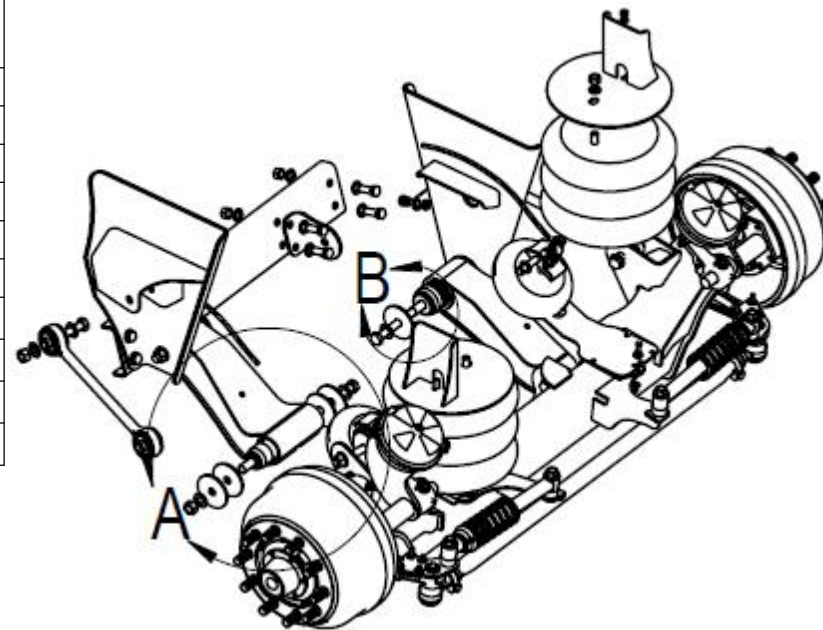
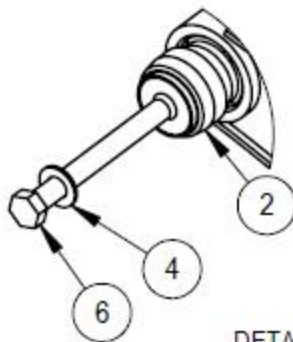


REV.	DESCRIPTION	ECN	DATE	BY
A	NEW DRAWING	C-5457	5/19/2008	DRB
B	ADDED NEW PART NUM.	1285	2/8/2013	RT

SERVICE REPAIR KIT SRK2055-2			SL2055 BUSHING KIT
ITEM	PART NO.	QTY	DESCRIPTION
1	10050	2	BUSHING PIVOT 3.5 OD X 1.125
2	11938	2	BUSHING 8.25 LG
3	11457	4	NUT LOCK .88-14
4	17010	8	WASHER FLAT .88 X 1.5
5	17238-8	2	CAPSCREW .87 X 8.00 UNF GR8
6	17238-11.5	2	CAPSCREW .87 X 11.50 UNF GR8
\triangle B	19721-05	2	DELRLINER 1.13X5.00
\triangle B	19721-08	2	DELRLINER 1.13X8.25
\triangle B	11222-02	12	WASHER FLAT .91X4.25X.25



DETAIL A
SCALE 1 : 8



DETAIL B
SCALE 1 : 8

SPECIAL CHARACTERISTICS SYMBOL LEGEND	
\circ X.XX	W/C CRITICAL DIM
** X.XX	DESIGNATES A \pm .125 TOL.
* X.XX	DESIGNATES A KEY CUSTOMER CHARACTERISTIC
\square KCC	NAVISTAR/INTERNATIONAL
∇ K	FREIGHTLINER
\diamond M	MACK TRUCKS
\triangle C	PACCAR

MATERIAL INFO.	DEPTS AFFECTED	TOLERANCES (EXCEPT AS NOTED)	DESCRIPTION: SRK2055-2 BUSHING KIT SL2055	
STEEL PART NO.		DECIMAL \pm .03	PREVIOUS ASSY:	-
MATERIAL:	-	FRACTIONAL \pm 1/32	SUSPENSION MODEL:	-
WEIGHT:	-	ANGULAR \pm 0.5°	SCALE:	1:1
		DATE: 5/19/2008	DRAWN BY: DRB	SIZE: A
				DRAWING NO: SRK2055-2

