

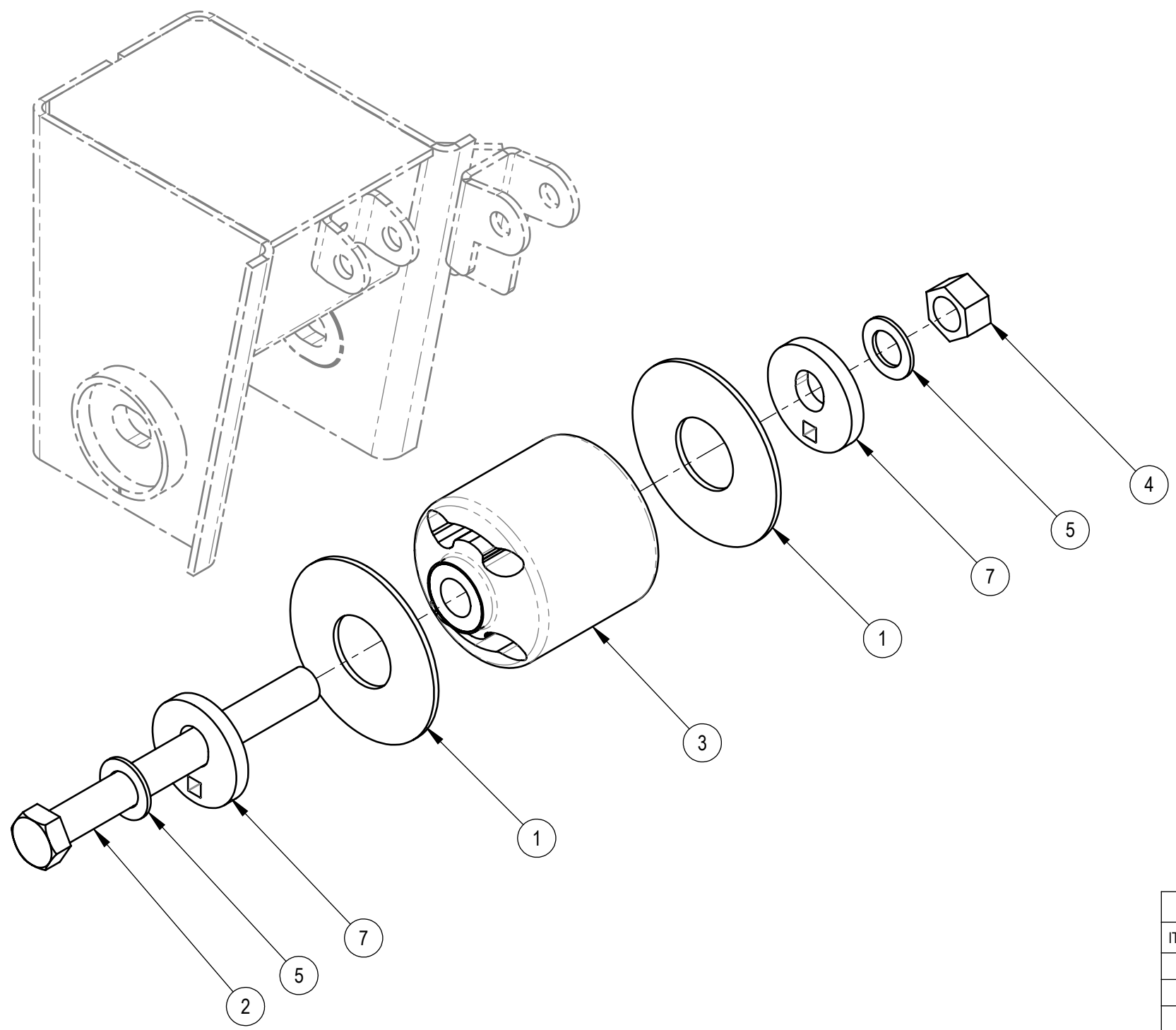
4

3

2

1

REV.	DESCRIPTION	ECN	DATE	BY	CHK BY
C	ITEM #5 QTY WAS 2	C5434	05/14/2008	JFF	-
D	ADDED ITEM #6	C-5666	07/29/2008	TLK	-
E	UPDATED MODEL AND DRAWING	402022	11/09/2016	EFR	CP



NOTES (UNLESS OTHERWISE SPECIFIED):

- 1. SRK64-01 SHOWN



TABLE 1				
ITEM NO.	SRK64/QTY.	SRK64-01/QTY.	PART NUMBER	DESCRIPTION
1	4	4	B-11613	WASHER - WEAR, UHMW, 6.00IN OD
2	2	2	17269	CAPSCREW 1.12-12 10.50"
3	2	2	17993-112	BUSHING MULTI FUNCTION
4	2	2	10023	NUT LOCK 1.12 UNF
5	4	4	10045	WASHER FLAT 1.12X 2.00 X .12 HARDENED
6	1	1	17993-LUBE	LUBE PACKET FOR BUSHING
7	-	4	17234	PIVOT COLLAR
WEIGHT		29.00 LBS.	33.50 LBS.	



ALL WATSON AND CHALIN INTELLECTUAL PROPERTY & PROPRIETARY INFORMATION IS PROTECTED BY U.S. & INTERNATIONAL COPYRIGHT LAWS. ANY USE WITHOUT THE EXPRESS WRITTEN PERMISSION OF WATSON AND CHALIN IS PROHIBITED.	UNLESS OTHERWISE SPECIFIED DIM ARE IN INCHES TOL ON ANGLES ± 1.0° X.X ± .1 X.XX ± .06 X.XXX ± .030 INTERPRET DIM AND TOL PER ASME Y14.5-2009	THIRD ANGLE PROJECTION DIMENSIONS ADHERE TO ASME Y14.5-2009	STEEL PART NO. -	SUSPENSION MODEL: TA	DATE: 10/23/2006	SCALE: 1:4	WEIGHT: TABLE 1	WATSON AND CHALIN MANUFACTURING INC 725 EAST UNIVERSITY DRIVE MCKINNEY TEXAS 75069	
			PERIMETER -	PREVIOUS ASSY: -	DRAWN BY: TEG	SIZE: B	SHEET: 1 OF 1	TITLE: BUSHING REPLACEMENT PARTS	DWG NO. SRK64

4

3

2

1

B

B

A

A