



ORDERING GUIDE

TRUCK STEERABLE LIFT AXLE

If additional options are required and do not appear on this guide, please note when ordering. This sheet contains basic information.

TO: _____ FROM: _____

COMPANY NAME: _____

DATE: _____ PHONE: _____ FAX: _____

E-MAIL: _____

1 SUSPENSION TYPE AND CAPACITY SELECTION	
Steerable Lift Axles / Single Tire	
8K	<input type="checkbox"/> SL0893*** – Forged Steer Knuckles; Bolt-on Brakes RAIL TYPE: <input type="checkbox"/> SR** <input type="checkbox"/> SSR**
10K	<input type="checkbox"/> SL1093 – Fabricated Steer Knuckles; Bolt-on Brakes RAIL TYPE: <input type="checkbox"/> SR** <input type="checkbox"/> SSR**
13.5K	<input type="checkbox"/> SL1190 – Forged Steer Knuckles; Bolt-on Brakes RAIL TYPE: <input type="checkbox"/> SR** <input type="checkbox"/> SSR**
	<input type="checkbox"/> SL13AA – Fabricated Steer Knuckles; Integrated Brakes RAIL TYPE: <input type="checkbox"/> SR** <input type="checkbox"/> SSR**
	<input type="checkbox"/> RSL1186 – Reverse Steer Unit - Forged Steer Knuckles; Bolt-on Brakes RAIL TYPE: No rail options
	<input type="checkbox"/> SL1152RO – Roll-off Unit - Forged Steer Knuckles; Bolt-on Brakes RAIL TYPE: No rail options
20K	<input type="checkbox"/> SL1185HL* – High Lift Unit - Forged Steer Knuckles; Bolt-on Brakes RAIL TYPE: No rail options
	<input type="checkbox"/> SL2065 – Fabricated Steer Knuckles; Integrated Brakes RAIL TYPE: No rail options
Steerable Lift Axles / Dual Tire	
25K	<input type="checkbox"/> SL2200 – Leading Kingpin Steer Axle RAIL TYPE: No rail options
	<input type="checkbox"/> Pusher Application Bent-tube 6" drop axle
	<input type="checkbox"/> Tag Application Straight-tube axle
*** Pusher position only	
* Tag position only	
** SSR units are 2.75" overall shorter fore/aft, reducing the required amount of frame space for mounting. See figure 2	

2 VEHICLE INFORMATION (all information required)	
Lift Axle Position	<input type="checkbox"/> Pusher (Ahead of Drive Axles) <input type="checkbox"/> Tag (Behind Drive Axles)
Vehicle's Primary Suspension Type	<input type="checkbox"/> Air Ride <input type="checkbox"/> Rubber Block <input type="checkbox"/> Mech.Spring <input type="checkbox"/> Walking Beam
Vehicle Frame Width (outside to outside)	<input type="checkbox"/> 33.5" <input type="checkbox"/> 34" <input type="checkbox"/> 34.5" <input type="checkbox"/> 35" Other (please specify _____)
Dimension from Bottom of Frame Rail to Ground (at lift axle location)	Unloaded _____ Loaded _____
Dimension from Bottom of Frame Rail to Bottom of Driveshaft (at lift axle location)	_____
Lift Axle Tire Size	_____

3 LIFT AXLE OPTIONS	
Rail	<input type="checkbox"/> Blank, no holes <input type="checkbox"/> With Mounting Holes - Specific hole pattern must be furnished
--Ride Height-- Must be configured and meet specific model acceptable ranges based on the vehicle "loaded" frame height. All clearances above and below lift axle tires, and at the driveline must be confirmed by installer. (See Figure 1)	Available ride heights/ranges vary with each specific model and availability will be confirmed during ordering process. Values shown below represent nominal target heights. <input type="checkbox"/> 6" <input type="checkbox"/> 7" <input type="checkbox"/> 8" <input type="checkbox"/> 9" <input type="checkbox"/> 10" <input type="checkbox"/> 11" <input type="checkbox"/> 12" <input type="checkbox"/> 13" <input type="checkbox"/> 14" <input type="checkbox"/> 15" <input type="checkbox"/> 16" <input type="checkbox"/> 17" <input type="checkbox"/> 18" <input type="checkbox"/> 19" <input type="checkbox"/> 20"
Steer Lock	<input type="checkbox"/> Yes <input type="checkbox"/> No
Centering Kit	<input type="checkbox"/> Yes <input type="checkbox"/> No
Brake Type	<input type="checkbox"/> Drum <input type="checkbox"/> Disc (only available on select models)
Brakes	<input type="checkbox"/> Less brakes
	<input type="checkbox"/> 325mm X 100mm (8K and 10K only)
	<input type="checkbox"/> 15 X 4 (13.5K only)
	<input type="checkbox"/> 16.5 X 5 (13.5K only for reduced stopping distance)
	<input type="checkbox"/> 16.5 X 6 (20K only)
	<input type="checkbox"/> 16.5 X 7 (25K only)
Dust Shields	<input type="checkbox"/> Yes <input type="checkbox"/> No

Contact Watson & Chalin at 972.547.6020 for additional information



Watson & Chalin
 725 E. University Drive, McKinney, Texas 75069
 972.547.6020 • 800.445.0736 • Fax 972.542.0097

www.watsonsuspensions.com



W&C175 05-2017

Watson & Chalin is a brand of Hendrickson

Information contained in this literature was accurate at the time of publication. Product changes may have been made after the copyright date that are not reflected. © Watson & Chalin Mfg. Inc. All Rights Reserved Printed in United States of America

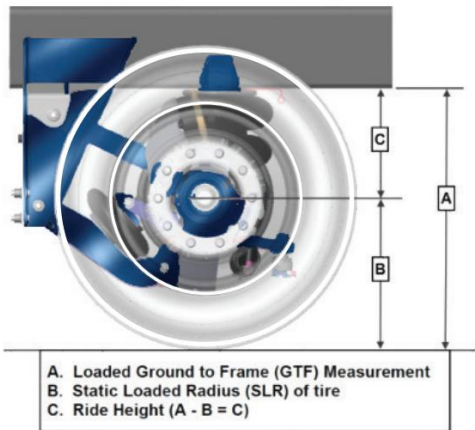


ORDERING GUIDE

TRUCK STEERABLE LIFT AXLE

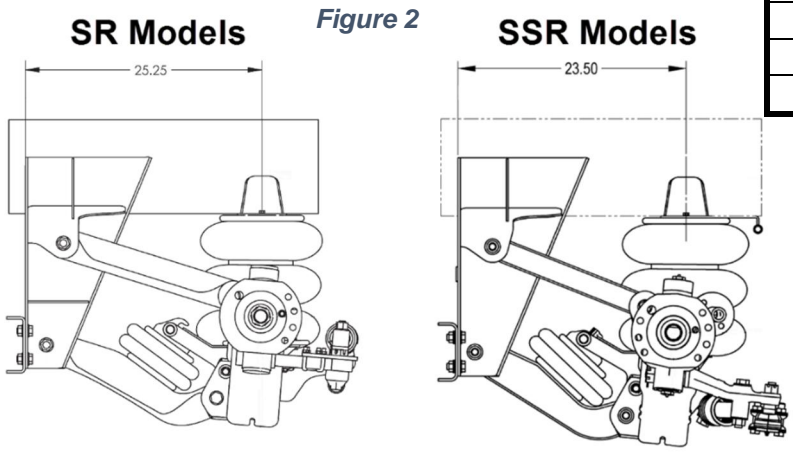
4 WHEEL-END OPTIONS			
Hub	<input type="checkbox"/> Less Wheel-ends	<input type="checkbox"/> Standard hub	<input type="checkbox"/> Preset Plus
Hub Style	<input type="checkbox"/> Hub Pilot (Standard)		<input type="checkbox"/> Stud Pilot
Hub Options	<input type="checkbox"/> Cast		<input type="checkbox"/> Aluminum
ABS Tone Ring	<input type="checkbox"/> Less Tone Ring	<input type="checkbox"/> Tone Ring Installed	
Drum Options	<input type="checkbox"/> Cast		
	<input type="checkbox"/> Cast for 19.5 wheels (13.5K option)		
	<input type="checkbox"/> Castlite	<input type="checkbox"/> Less Drums	
Wheel-end Fasteners	<input type="checkbox"/> Wheel-end fasteners included		<input type="checkbox"/> Less wheel-end fasteners
Wheel-end Lube	<input type="checkbox"/> No Lube	<input type="checkbox"/> Std. Oil	<input type="checkbox"/> Synthetic Oil
ABS Sensor	<input type="checkbox"/> Less ABS Sensor Cables		<input type="checkbox"/> ABS Sensor Cables Installed

Figure 1 - Ride Height Illustration



5 PLUMBING OPTIONS	
Plumbing	<input type="checkbox"/> Less Plumbing <input type="checkbox"/> Pre-plumbing Included (select from options below)
Plumbing Kit Variations (select one main and one control option)	
Main Kit	Control Option
<input type="checkbox"/> PPAK50 Air kit for use with multi-port spool-type control valve	<input type="checkbox"/> Less Controls <input type="checkbox"/> Control panel with 12v push/pull valve, regulator, gauge, 12v relay <input type="checkbox"/> Control panel with regulator and gauge only (no control valve) <input type="checkbox"/> No control panel, elec. 12v valve, regulator, gauge, 12v relay
<input type="checkbox"/> PPAK250 Air kit utilizing high-flow elec. Lift Axle Control Module. 12V relay included.	<input type="checkbox"/> Less Controls <input type="checkbox"/> Regulator/gauge combo w/bracket (no push/pull valve) <input type="checkbox"/> Control panel with regulator and gauge (no push/pull valve) <input type="checkbox"/> Control panel with regulator and gauge in weather box (no push/pull valve) <input type="checkbox"/> Control panel with regulator, gauge and push/pull valve in weather box
<input type="checkbox"/> PPAK124 Air kit utilizing proportioning ratio valve in place of manual regulator. 20K and 25K units only.	<input type="checkbox"/> Less Controls <input type="checkbox"/> Regulator/gauge combo w/bracket (no push/pull valve) <input type="checkbox"/> Control panel with regulator and gauge (no push/pull valve)

NOTES OR ADDITIONAL OPTIONS NOT LISTED



Contact Watson & Chalin at **972.547.6020** for additional information



Watson & Chalin
 725 E. University Drive, McKinney, Texas 75069
 972.547.6020 • 800.445.0736 • Fax 972.542.0097
www.watsonsusensions.com

