

4

3

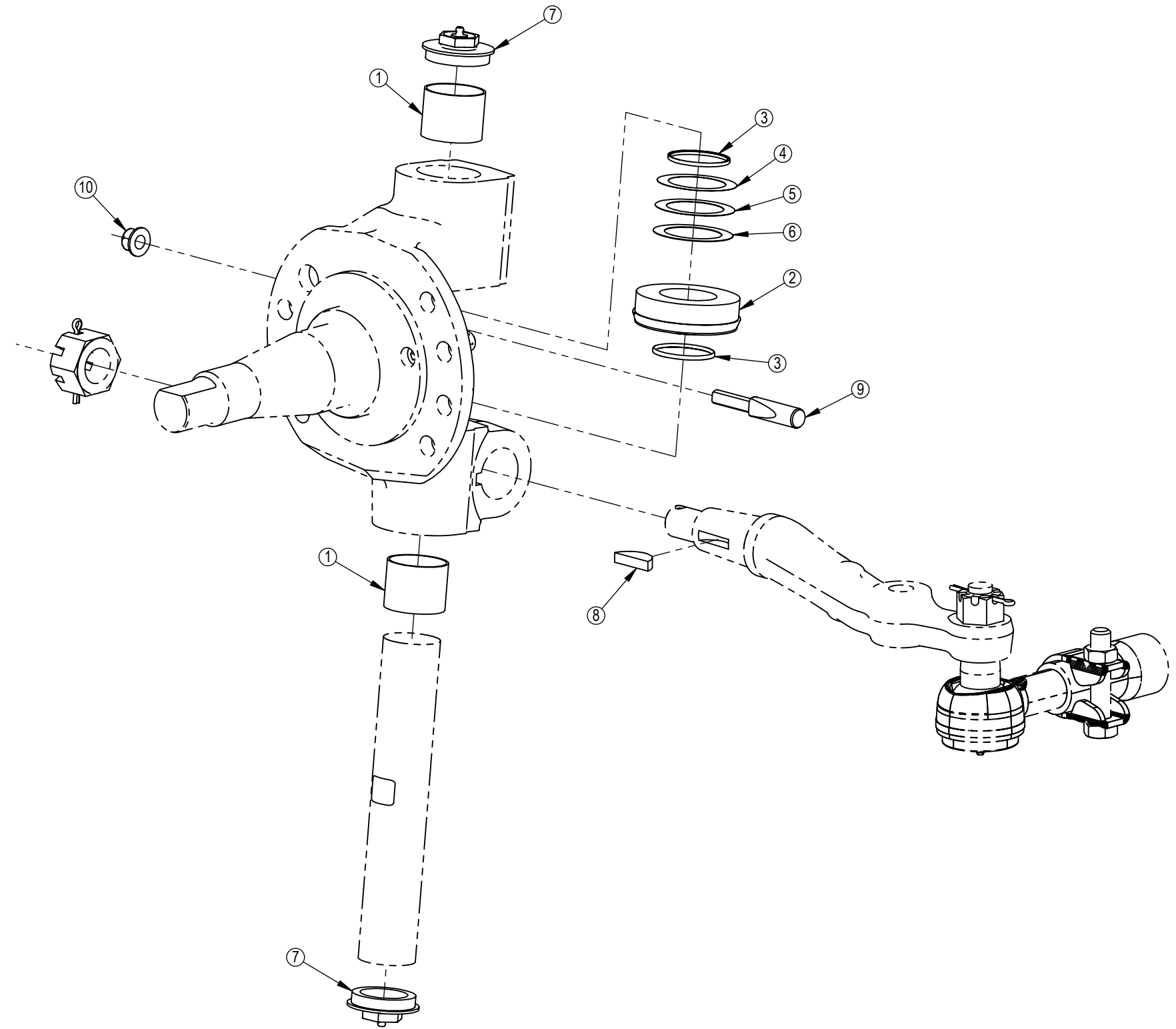
2

1

REV.	DESCRIPTION	CN	DATE	DRWN BY	CHKD BY
A	NEW DRAWING	-	-	-	-
B	ADDED EXPLODED VIEW	300721	09/20/2015	CRM	-
C	REVISED MODEL AND DRAWING	401770	10/06/2016	CRM	MRB

B

B



A

A

ITEM NO.	QTY.	PART NUMBER	DESCRIPTION
1	4	143622-0011	KING PIN BUSHING
2	2	A1228E1305	THRUST BEARING
3	4	143623-0007	KING PIN SEAL
4	4	143624-0017	SHIM 0.015 (AS REQ'D)
5	4	143624-0016	SHIM 0.010 (AS REQ'D)
6	4	143624-0015	SHIM 0.005 (AS REQ'D)
7	4	143661-0008	CAP KING PIN
8	2	143699-0108627	WOODRUFF KEY
9	2	143663-0008	DRAW KEY
10	2	143699-0062	NUT LOCK PIN

ALL WATSON AND CHALIN INTELLECTUAL PROPERTY & PROPRIETARY INFORMATION IS PROTECTED BY U.S. & INTERNATIONAL COPYRIGHT LAWS. ANY USE WITHOUT THE EXPRESS WRITTEN PERMISSION OF WATSON AND CHALIN IS PROHIBITED.	UNLESS OTHERWISE SPECIFIED DIM ARE IN INCHES TOL ON ANGLES ± 1.0° X.X ± .1 X.XX ± .06 X.XXX ± .030 INTERPRET DIM AND TOL PER ASME Y14.5-2009	THIRD ANGLE PROJECTION DIMENSIONS ADHERE TO ASME Y14.5-2009	STEEL PART NO.	SUSPENSION MODEL:	DATE:	SCALE:	WEIGHT:	WATSON AND CHALIN MANUFACTURING INC 725 EAST UNIVERSITY DRIVE MCKINNEY TEXAS 75069	
			PERIMETER	SL11XX	08/04/2008	1:4	-		
				PREVIOUS ASSY:	DRAWN BY:	SIZE:	SHEET:	TITLE:	DWG NO.
				-	TLK	B	1 OF 1	KNUCKLE KIT 13K WESTPORT	SRK112-01

4

3

2

1