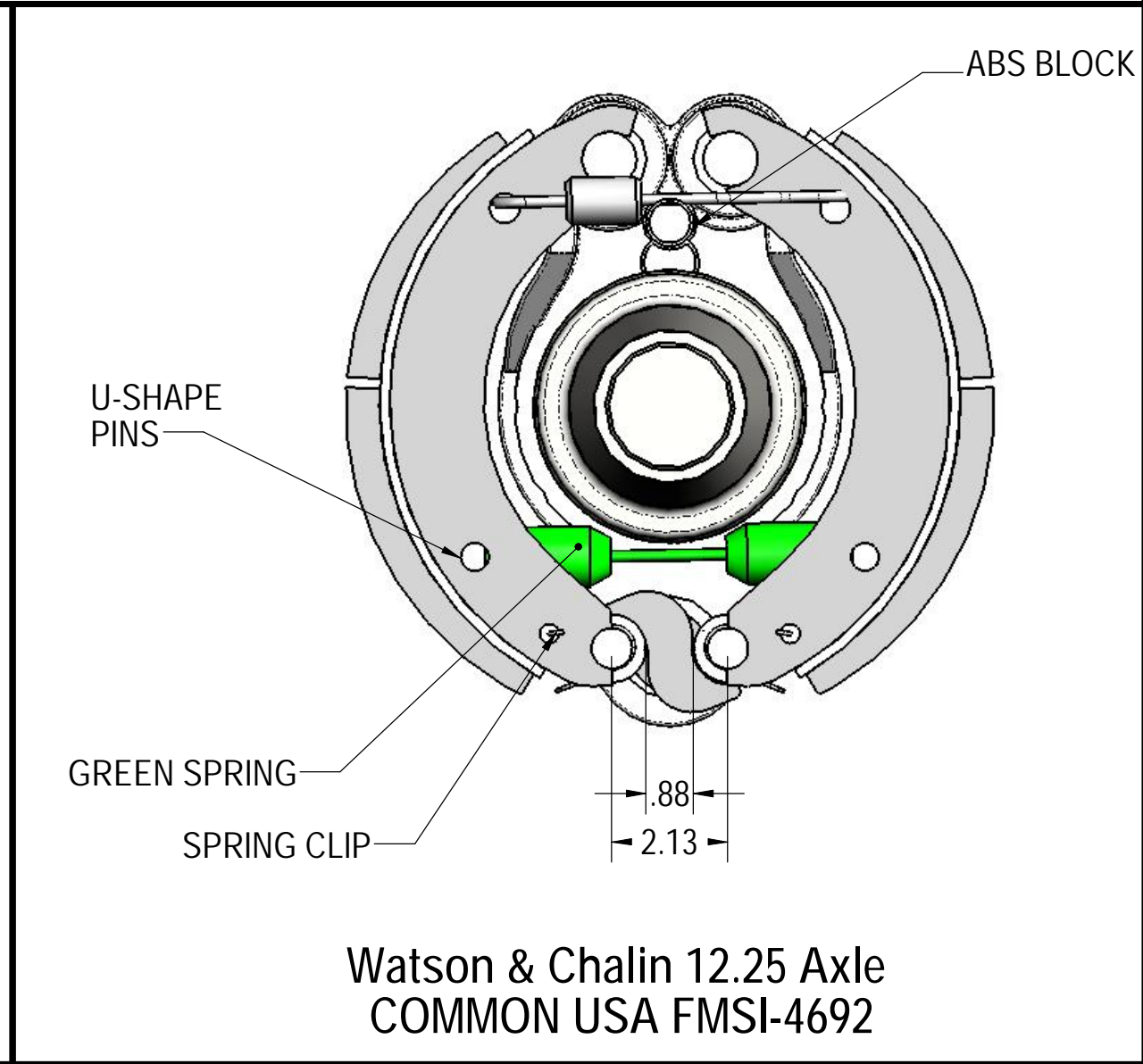
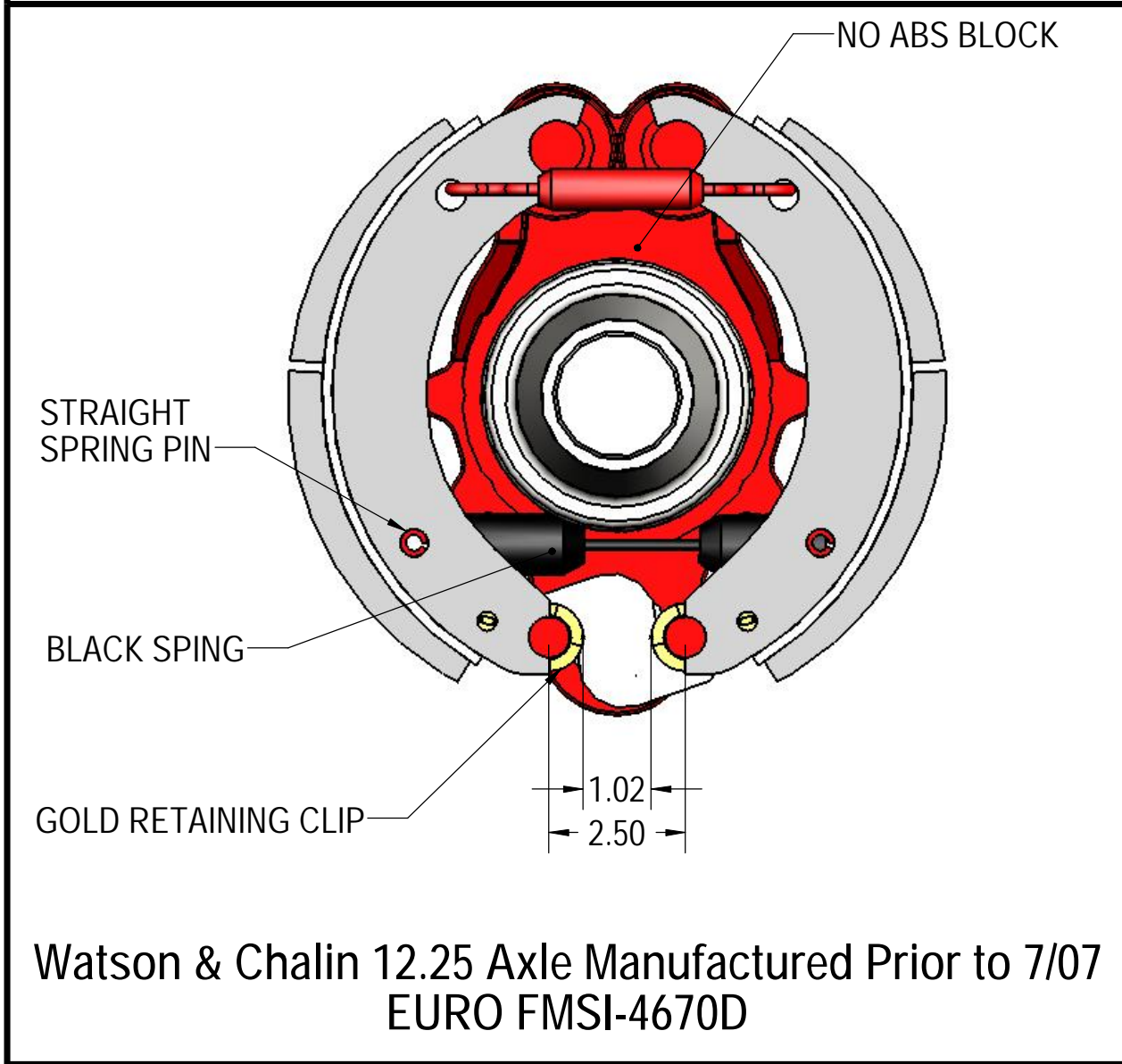



REV.	DESCRIPTION	ECN	DATE	BY
A	NEW DRAWING	C-4851	8/10/2007	EFR
B	ADDED ANCHOR PIN BUSHING ON PAGE 2	C-5297	4/1/2008	EFR
C	ITEM #5 WAS 19054 ON PAGE 2	C-5321	4/10/2008	EFR
D	CHANGED DIM WAS 1.25, UPDATED AND CORRECTED PARTS LIST/DWG PER CHINA INFO	C-6225	3/13/09	TLK
E	INSERTED REF COLUMN AND MADE CHANGES TO PART NO ON SHT 2 AND 3 OLD NUMBERS ARE IN REF COLUMN	7669	8/04/10	TLK

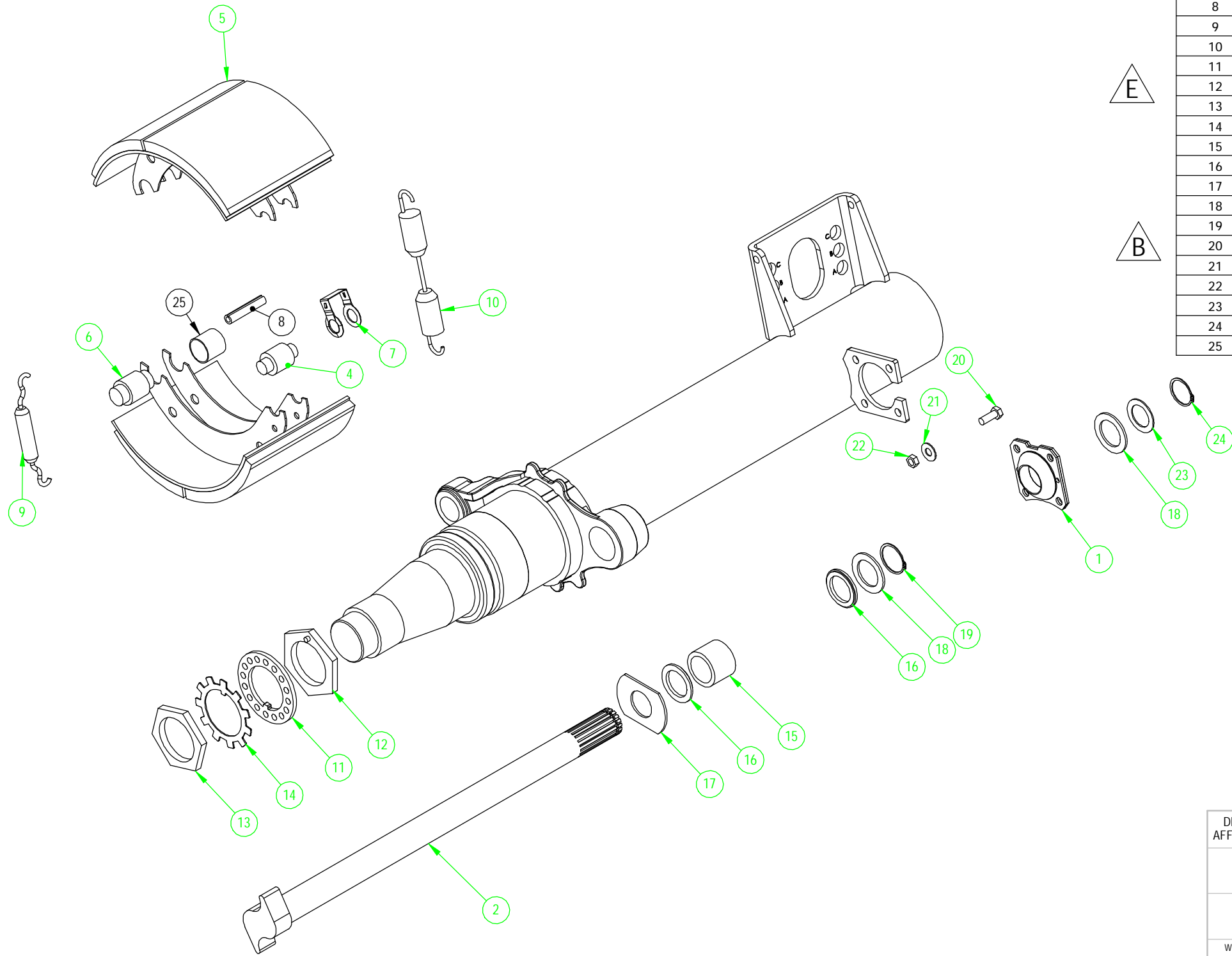
Watson & Chalin 12.25 Axle Identification



D

TOLERANCES (EXCEPT AS NOTED)		DESCRIPTION: WATSON & CHALIN 12.25 AXLE		 Watson Suspension Systems	
DECIMAL	± .06	PREVIOUS ASSY:	-		SHEET: 1 OF 3
FRACTIONAL	± 1/16	SUSPENSION MODEL:	-		SCALE: 1:1
ANGULAR	± 1°	DATE:	08/10/07	DRAWN BY: EFR	SIZE: B
				DRAWING NO: LIT 12.25	

EURO



△ C

△ E

△ B

△ D

ITEM NO.	QTY PER AXLE	REF. OLD WC PART NO.	WC PART NO.	DESCRIPTION
1	2	3302-0038	C20-0201	CAM BEARING ASSY.
2	1	-	3304-2091L	CAMSHAFT 23.1875 LONG LH
3	1	-	3304-2091R	CAMSHAFT 23.1875 LONGRH
4	4	3005	D12-0101	BRAKE SHOE ROLLER
5	2	19054-4670	D20-0850101	BRAKE SHOE
6	4	-	3002-2001	ANCHOR PIN
7	4	3006-0003	D22-0301	ROLLER RETAINER
8	4	3008-2001	D23-0101	SPRING PIN
9	4	800027	D12-0101	BRAKE SHOE RETAINING SPRING
10	2	3007-2001	D13-0201	BRAKE SHOE RETURN SPRING
11	2	800108	A11-0201	AXLE WASHER
12	2	800109	A12-0201	AXLE JAM NUT
13	2	800111	A24-0101	OUTER JAM NUT
14	2	800123	A25-0101	NET WASHER
15	2	3306-0011	C13-0301	SPIDER BUSHING
16	2	3307-0011	C14-0201	SPIDER SEAL
17	2	3011-2001	C15-0102	WASHER
18	2	17854-007	C15-0102	CAM BEARING WASHER
19	2	17854-008	C16-0501	CAMSHAFT SNAP RING
20	8	10038	C26-0201	CAPSCREW
21	8	1101	C28-0102	WASHER
22	8	1094	C27-0102	HEXNUT
23	2	FW2870T-1014	C15-0105	CAMSHAFT END WASHER
24	2	T8941-30	C16-0301	CAMSHAFT RETAINING RING
25	4	3001	C13-0201	ANCHOR PIN BUSHING

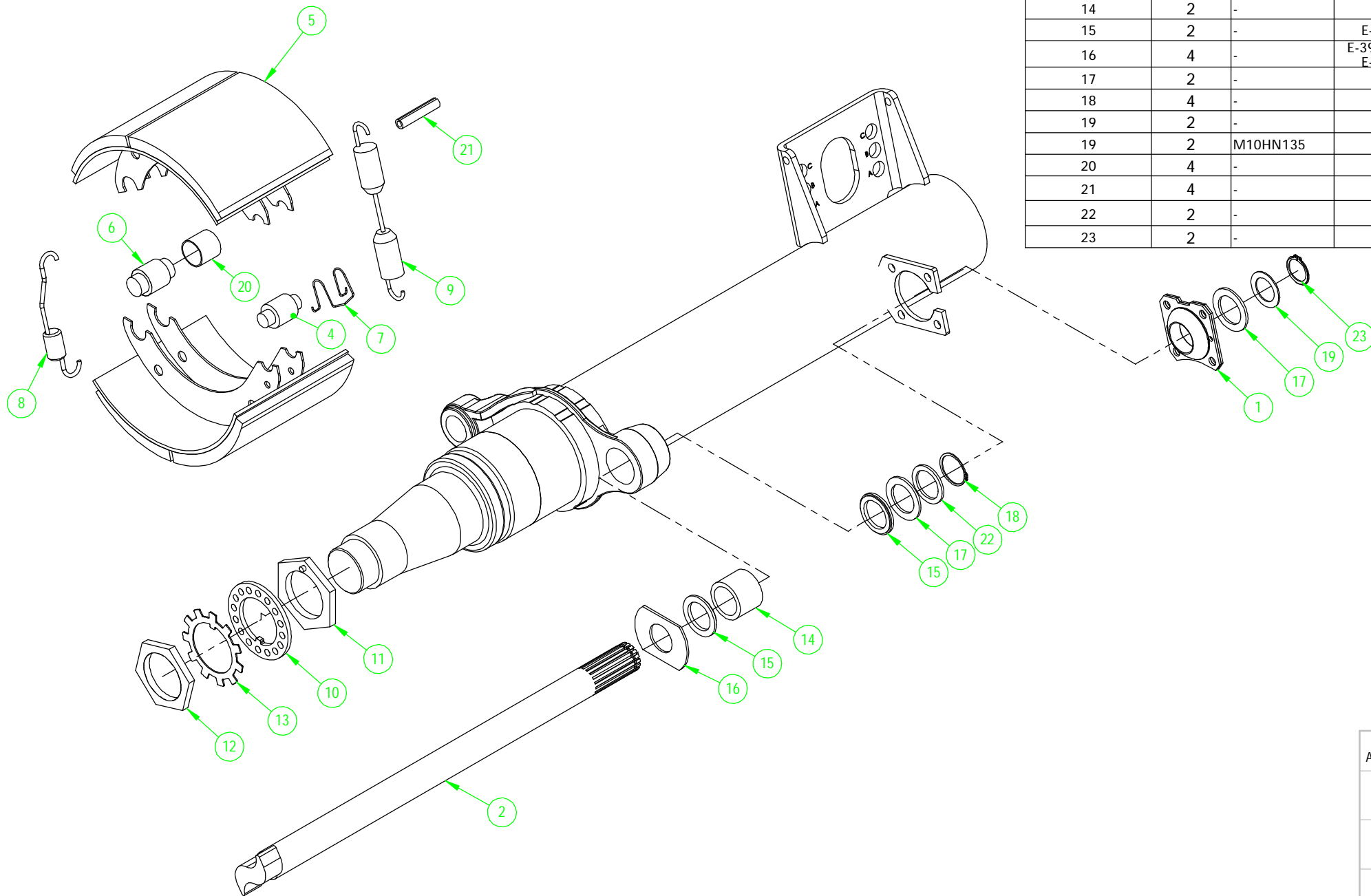
DEPTS AFFECTED	TOLERANCES (EXCEPT AS NOTED)	DESCRIPTION: WC AXLE 12.25 X 7.5 FMSI 4670	EURO
-	DECIMAL ± .06	PREVIOUS ASSY: -	SHEET: 2 OF 3
-	FRACTIONAL ± 1/16	SUSPENSION MODEL: -	SCALE: 1:6
WEIGHT: -	ANGULAR ± 1°	DATE: 08/14/07	DRAWN BY: EFR
			SIZE: B
			DRAWING NO: LIT 12.25



USA



ITEM NO.	QTY PER KIT	DANA PART NO.	EUCLID PART NO.	MERITOR PART NO.	REF OLD WC PART NO.	WC PART NO.	DESCRIPTION
1	2	M12WH50H	E-1318AHD	A2-3105-1151 OR A3105V282	3302-0038	C20-0201	CAM BEARING ASSY.
2	1	M12WKL25233	E10905	R60273	-	C11-0401L	CAM SHAFT CL595MM
3	1	M12WKR25233	E10906	R607274	-	C11-0401R	CAM SHAFT CL595MM
4	4	M10WJ151	-	-	3005-2002	D21-0201	BRAKE SHOE ROLLER
5	4	M12WN122-X	-	-	19054-4692	D20-040101	BRAKE SHOE
7	4	-	-	-	3002-2001	D11-0201	ANCHOR PIN
8	4	M10WJ150	-	-	3006-0003	D22-0201	ROLLER RETAINER
9	4	-	-	-	3004	D12-0101	BRAKE SHOE RETAINING SPRING
10	2	M10WJ118	-	-	3007-2002	D13-0301	BRAKE SHOE RETURN SPRING
11	2	M10HN100	-	-	800108	A11-0201	AXLE WASHER
12	2	M10HN101	-	-	800109	A12-0201	AXLE JAM NUT
13	2	M10HN102	-	-	800111	A24-0101	OUTER JAM NUT
14	2	-	-	-	800123	A25-0101	NET WASHER
15	2	-	E-9789	R627034	3306-0011	C13-0201	SPIDER BUSHING
16	4	-	E-3991 OR E-1405	R627015 OR 1205-Q-2123	3307-0011	C14-0201	SPIDER SEAL
17	2	-	-	-	3011-2001	C15-0102	RETAINING RING
18	4	-	-	-	3010-2001	C15-0102	CAM BEARING WASHER
19	2	-	-	-	17854-008	C16-0501	RETAINING RING
19	2	M10HN135	-	-	3009-3001	C15-0105	SHAFT END WASHER
20	4	-	-	-	3001	B12-0101	ANCOR PIN BUSHING
21	4	-	-	-	3008-2001	D23-0101	SPRING PIN
22	2	-	-	-	3909	C15-0102	CAM BEARING WASHER
23	2	-	-	-	39904-0012	C16-0301	CAMSHAFT RETAINING RING



DEPTS AFFECTED	TOLERANCES (EXCEPT AS NOTED)	DESCRIPTION: WC 12.25 X 7.5 FMSI 4692 NEW PRODUCTION USA	
-	DECIMAL ± .06	PREVIOUS ASSY: -	SHEET: 3 OF 3
-	FRACTIONAL ± 1/16	SUSPENSION MODEL: -	SCALE: 1:6
WEIGHT: -	ANGULAR ± 1°	DATE: 08/14/07	DRAWN BY: EFR
		SIZE: B	DRAWING NO: LIT 12.25

