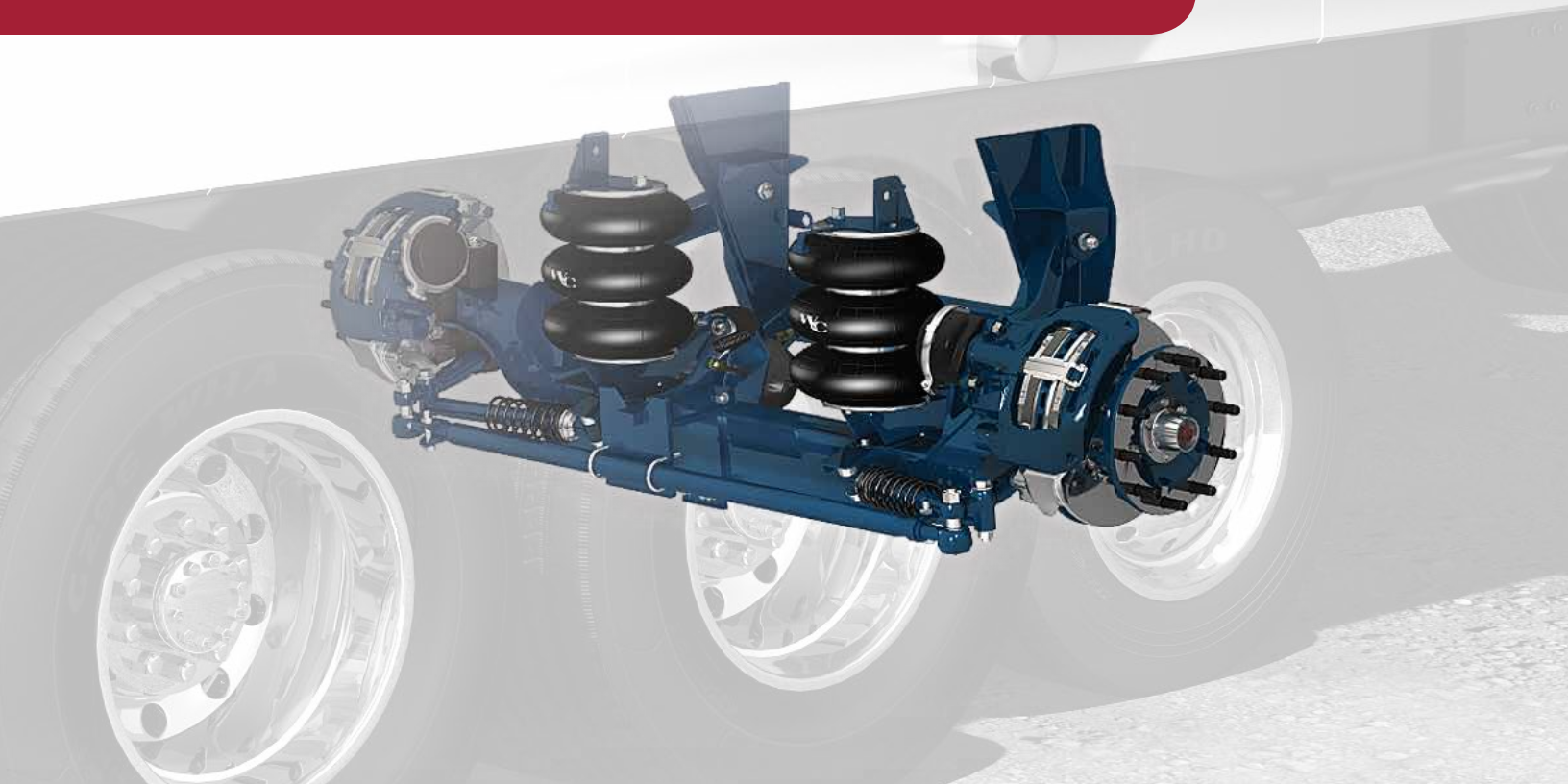


DEMAND **MORE** STOPPING POWER



AIR DISC BRAKES

Our demand for more stopping power results in **air disc brakes** that meet and exceed customer specifications. We have the same goal as fleet owners and operators, to reduce maintenance and extend service intervals. With over 30 years of suspension expertise, dependability is priority one.

- **Lightweight**
- **Longer life**
- **Increased stopping power**
- **Versatile applications**
- **Less maintenance**



Requiring trucks to stop within a certain distance is one way of trying to make trucking safe.
At W&C, we already construct this safety into our ADB assemblies.

For more information, call 800.445.0736

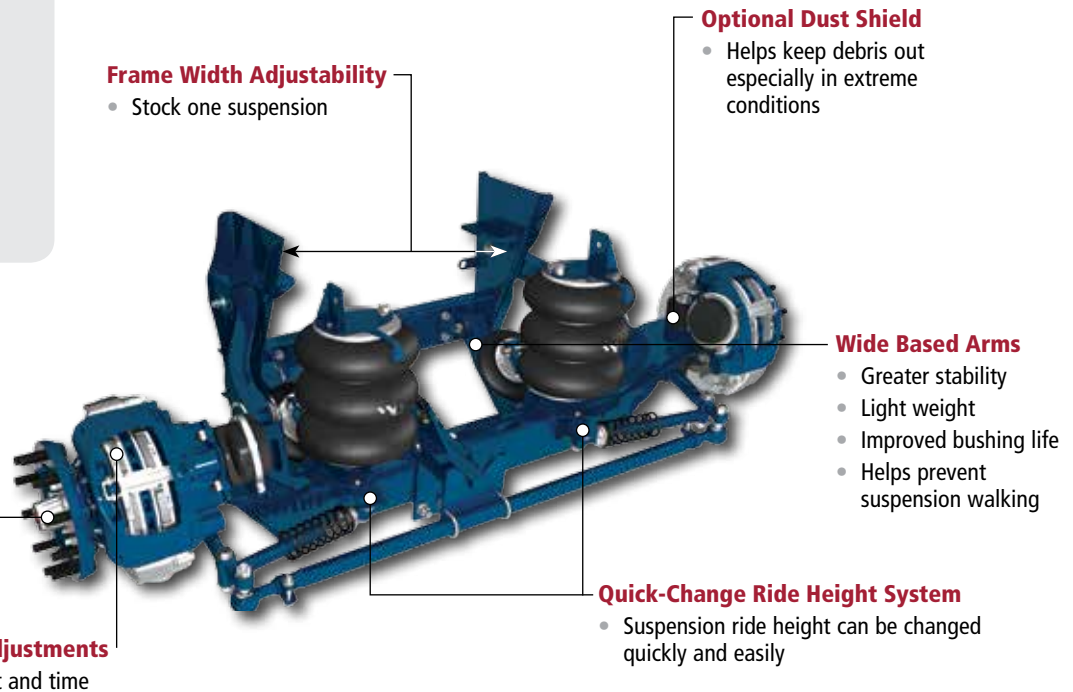


Watson & Chalin is a brand of Hendrickson

AIR DISC BRAKES

In Vocational Applications...

- Maintain stability
- Reduce brake fade
- Greater downhill performance
- Symmetrically balanced left and right brake power
- Brake pad changes and adjustments are quicker



SL13K MODEL			
Weight	971	ABS Sensor	Yes (Optional)
Capacity	Up to 13.5K	Dust Shield	Yes (Optional)
Package	22.69 inches (With ADB)	Wheel Size	22 inches
Kingpin Kit	Westport	Lining	BX-275
Bushing Kit	SRK1190-1	Chamber	T-12, T-14, T-16
Load Air Spring	AS0048	Hub	Hub Piloted
Lift Air Spring	AS0058	Spindle	FF
		Bearings	Standard-Preferred Choice

Important reminder: It is important to specify brake caliper position; certain applications require selection of specific wheel and valve stem products; trailer configurations require specific dolly applications.

Contact Watson & Chalin at 972.547.6020 for additional information.



Watson & Chalin
 725 E. University Drive, McKinney, Texas 75069
 972.547.6020 • 800.445.0736 • Fax 972.542.0097
www.watsonsuspensions.com

