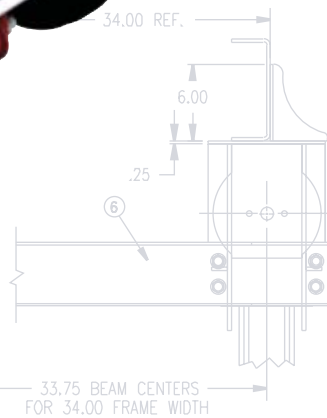
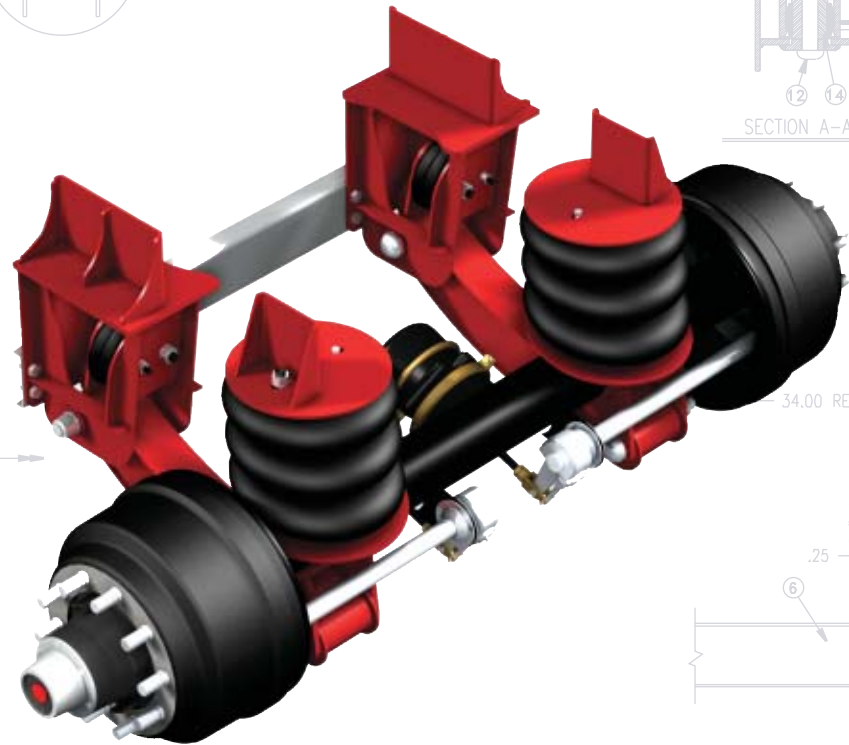
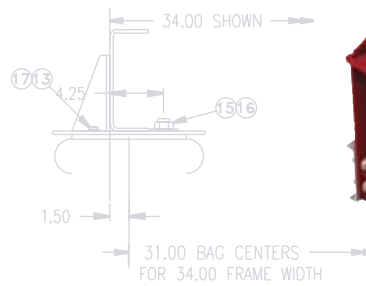
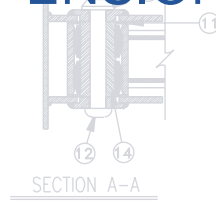
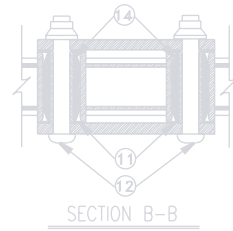




Watson Suspension Systems

AL-800

NON-STEERABLE LIFT AXLE SUSPENSION



AL-800 SERIES

- 3 Year Warranty
- 13,200 lb. Capacity
- Maintenance Free with HUCK Fasteners

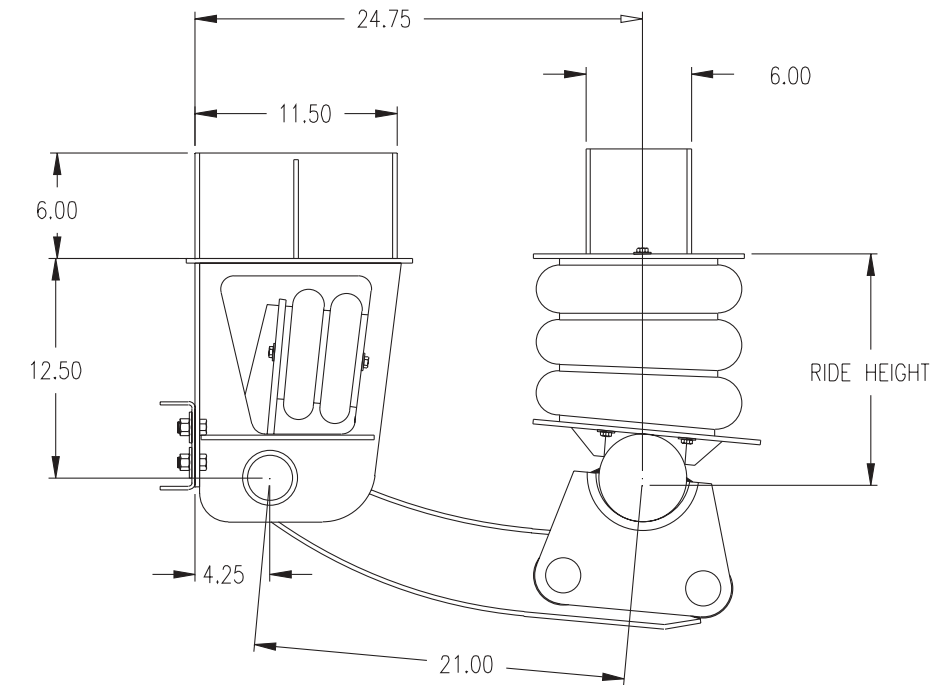


NOTE: WELD AXLE SEAT AND BAG PLATE TO AXLE PER WELDING SPECS DWG. #11621

LEADERSHIP IN SUSPENSION TECHNOLOGY

AL-800 SERIES NON-STEERABLE LIFT AXLE SUSPENSION

AVAILABLE AS PUSHER OR TAG AXLE ASSEMBLY



- Axle Travel: 12 in.
- Axle Lift: 8 in.
- Capacity 13,200 lbs.
- Ride Heights: 10 thru 18 in.
- Air Ride - Air Lift
- Lightweight: 310 lbs. (w/o axle)
- Compact Design
- Maintenance Free HUCK Fasteners
- Two Pin Axle Connection Rubber Bushed
- Roll Off Version Available



Watson Suspension Systems

972.547.6020 800.445.0736

FAX: 972.542.0097

2060 COUCH DRIVE MCKINNEY, TEXAS 75069

www.WatsonSuspensions.com