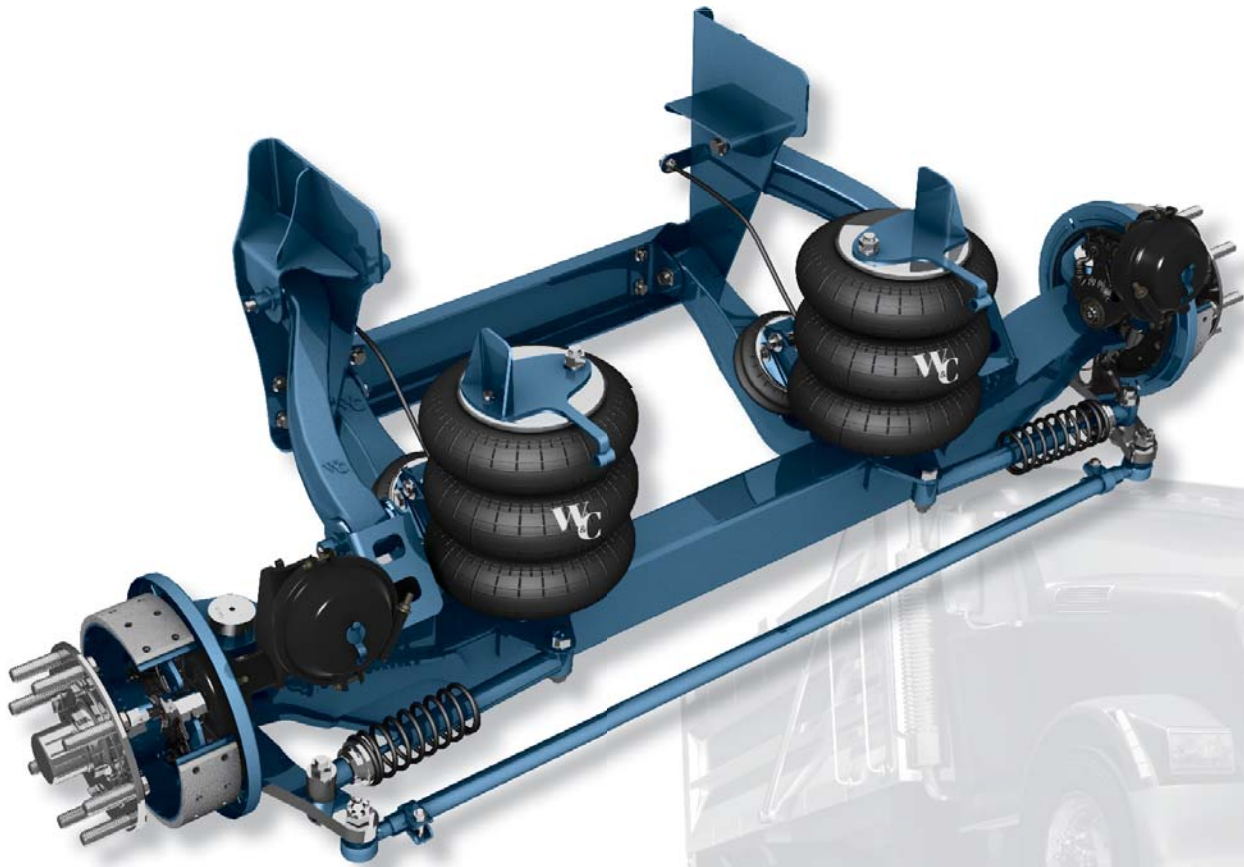


SL10K-1093

SELF-STEERING AXLE AND LIFT SUSPENSION SYSTEM

SL SERIES



SL10K-1093

The **SL10K-1093 Tru-Track Alumilite** with a rated capacity up to 10,000 pounds is our newest addition to the Tru-Track family and incorporates our "quick-change ride height system". This steerable lift axle is light weight yet durable. The SL10K-1093 is ideal for dump, mixer and refuse applications. Our Super Short Rail version (SSR) offers a more compact mounting design when space requirements become critical. All Tru-Track lift axles are backed by our 5-year limited warranty*.

- 10,000 pound suspension capacity
- Compact packaging design of 22.1 inches - SSR
- Ride Heights 9 thru 13 inches
- Quick-change ride height system
- Eight stud hub for use with 19.5 inch wheels and tires
- 5-year limited warranty*

* Contact your local W&C representative for complete warranty terms, conditions and limitations.

For more information, call 800.445.0736



Watson & Chalin is a brand of Hendrickson

Integrated Suspension and Axle Assembly

W&C continues to offer industry leading technology with their Truck and Trailer Steerable lift axle families. The Tru-Track family represents 30 years of experience, technology and durable products being offered by W&C.

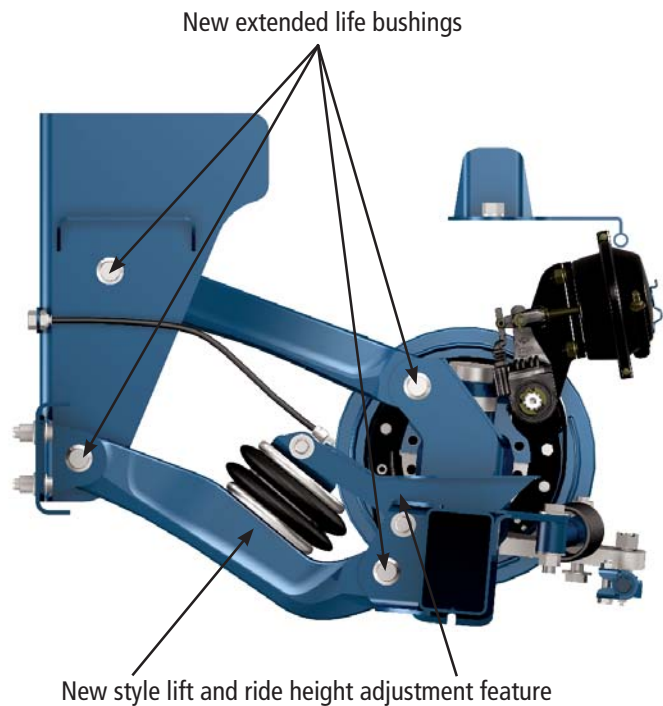
The SL10K Tru-Track member offers the industry a lightweight, compact design backed by an industry leading 5-year limited warranty*. So, when you are specing a vocational tractor remember, W&C for cost effective, durable products that help protect your bottom line.

SL10K-1093 Specifications

| | |
|------------------|-----------------|
| Capacity: | 10,000 pounds |
| Weight: | 719 pounds |
| Travel: | 12.25 inches |
| Lift: | 8 inches |
| Ride Heights: | 11 to 16 inches |
| Wheel Cut: | 25 degrees |
| Packaging Space: | 22.1 inches |

- Fabricated axle, industry components
- Quick-change ride height system
- Reverse lock-out kit available
- Preset caster
- Parallelogram design
- Factory pre-plumbing available

* Contact your local W&C representative for complete warranty terms, conditions and limitations.



Contact Watson & Chalin at **972.547.6020** for additional information.



Watson & Chalin
725 E. University Drive, McKinney, Texas 75069
972.547.6020 • 800.445.0736 • Fax 972.542.0097
www.watsonsuspensions.com

