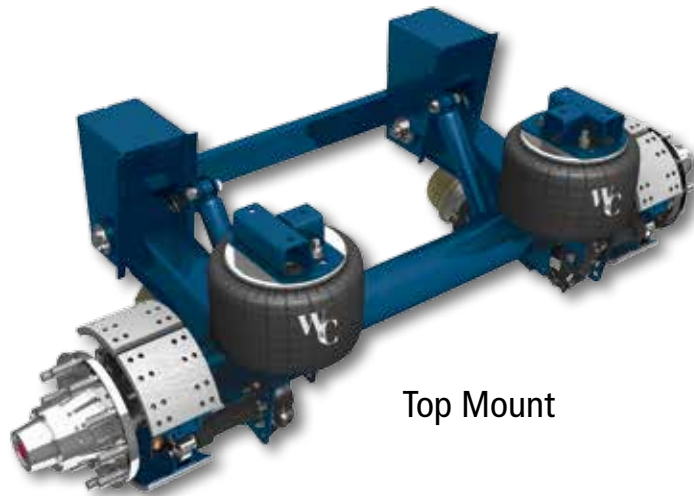


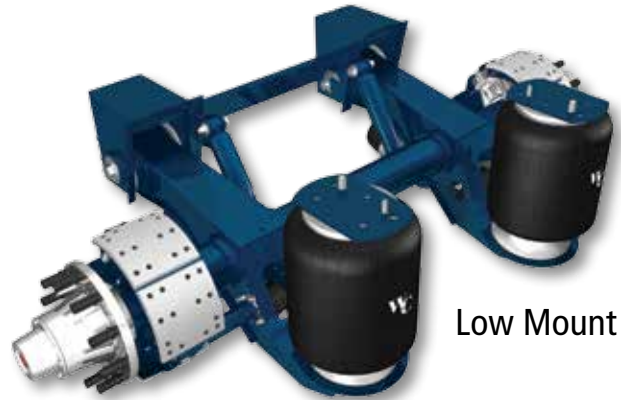
Ti250 and Ti300

TRAILER INTEGRA SUSPENSION SYSTEMS

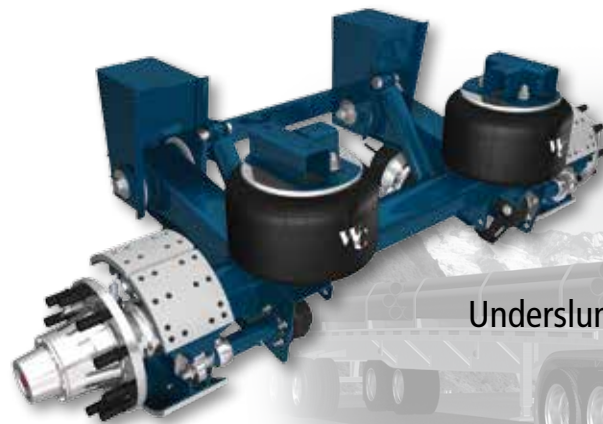
Ti
S E R I E S



Top Mount



Low Mount



Underslung



Ti250 and Ti300 Series

The **Ti250** and **Ti300** are primary trailer suspensions with rated capacities of 25,000 and 30,000 pounds. The Ti series delivers rugged performance, excellent ride quality and is ideal for numerous applications including, lowboy, drop-deck and container chassis.

- 25,000 and 30,000 pound suspension capacities
- Ride heights: 6.5 thru 19 inches
- Extended-life bushings
- Integrated axle to arm connection
- 5-year limited warranty*

* Contact your local Watson & Chalin representative for complete warranty terms, conditions and limitations.

For more information, call 800.445.0736

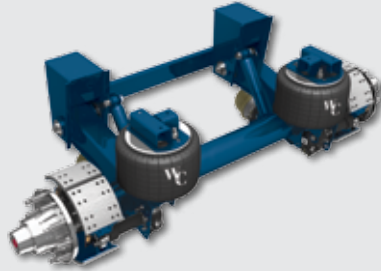


Watson & Chalin is a brand of Hendrickson

Proven technology that delivers in the most rugged conditions. The Ti suspension delivers value to the end user with its unmatched durability and is backed by Watson & Chalin with world-class customer service.

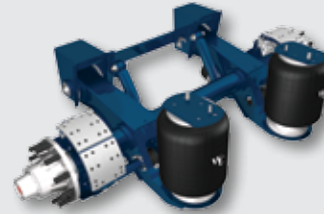
Specifications

Ti250T20 / Ti300T20



TOP MOUNT

Ti250L20 / Ti300L20



LOW MOUNT

	TOP MOUNT		LOW MOUNT	
Capacity:	25,000 pounds	30,000 pounds	25,000 pounds	30,000 pounds
Travel:	8 inches	8 inches	9 inches	9 inches
Lift:	3 to 4 inches	3 to 4 inches	5.11 to 5.31 inches	5 inches
Ride Heights:	14 to 19 inches	14 to 19 inches	6.5 to 19 inches	6.5 to 19 inches
Weight:	551 pounds	555 pounds	586 pounds	590 pounds

Ti - Trailer Integra North America	Dry Van & Reefer	Drop Frame Van	Auto Hauler	Container Chassis	Chip Van & Logging*	Flat or Platform	Lowboy & Drop Deck	Dump (Rear & Side)*	Dump (Bottom)*	Tanker*	Grain Hopper	Livestock
Ti250L20		P	P									
Ti300L20											O	O
Ti250T20	P			P								P
Ti300T20					O					O	O	O
Ti302T25					P			O		O		

P - Preferred O - Optional
 * Use of P spindle is preferred for heavy-duty and wheel outset applications.
 Note: Specific applications that are not typical must be reviewed by Watson & Chalin.

Value Added Options

- Lift kits
- Tire inflation systems
- Under beam lifts
- Easy adjustable center lifts
- Air kits
- Designed to help the operator save money and increase tire life
- 5-year limited warranty*
- Industry standard parts
- Technical support

* Contact your local W&C representative for warranty terms, conditions and limitations.

Contact Watson & Chalin at 972.547.6020 for additional information.



Watson & Chalin
 725 E. University Drive, McKinney, Texas 75069
 972.547.6020 • 800.445.0736 • Fax 972.542.0097
www.watsonsuspensions.com

