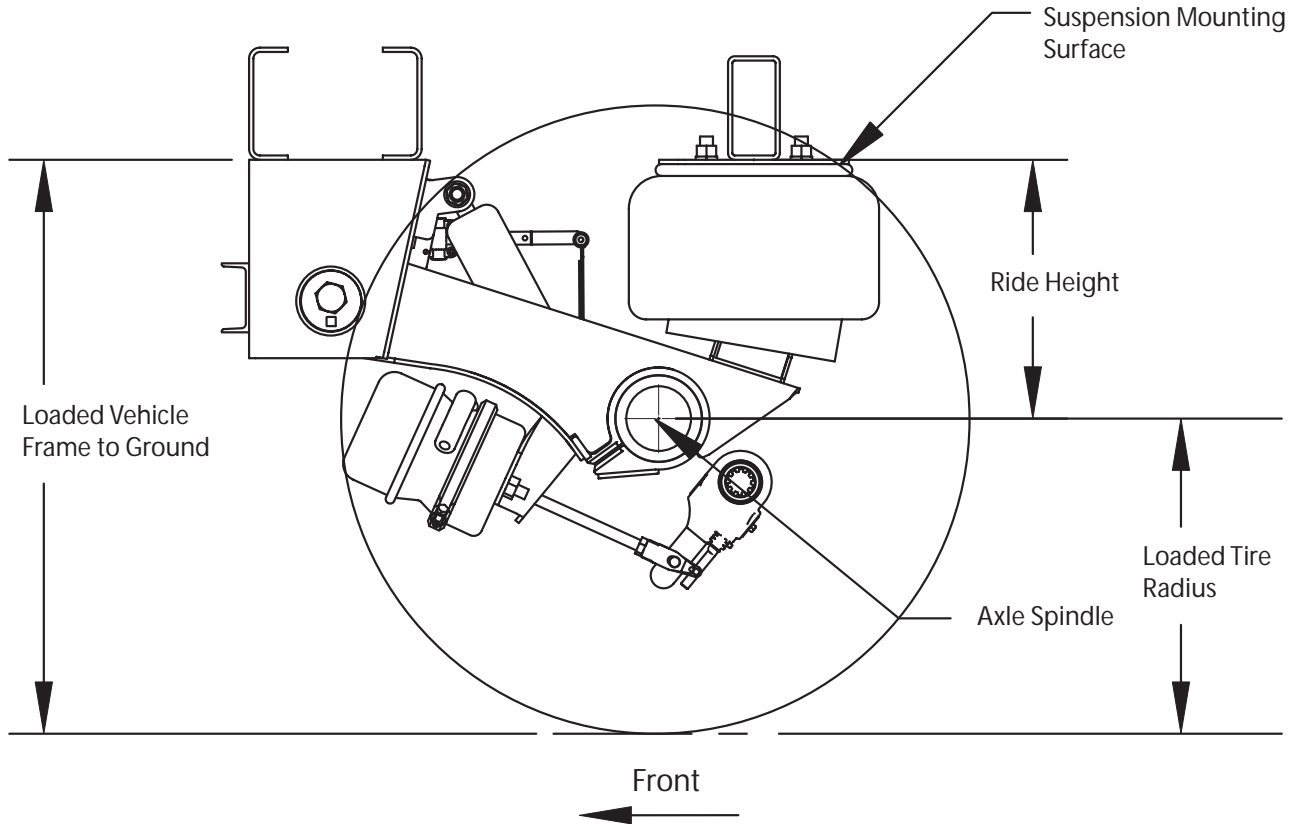


Figure 5: Ride Height



Calculating Ride Height

Proper ride height is calculated with the following equation:

Loaded Ground to Bottom of Frame	_____			
Static Loaded Tire Radius	-			
Ride Height	=			

Note

If the dimension is still not within ride height specifications from the corresponding drawing, contact Watson & Chalin.