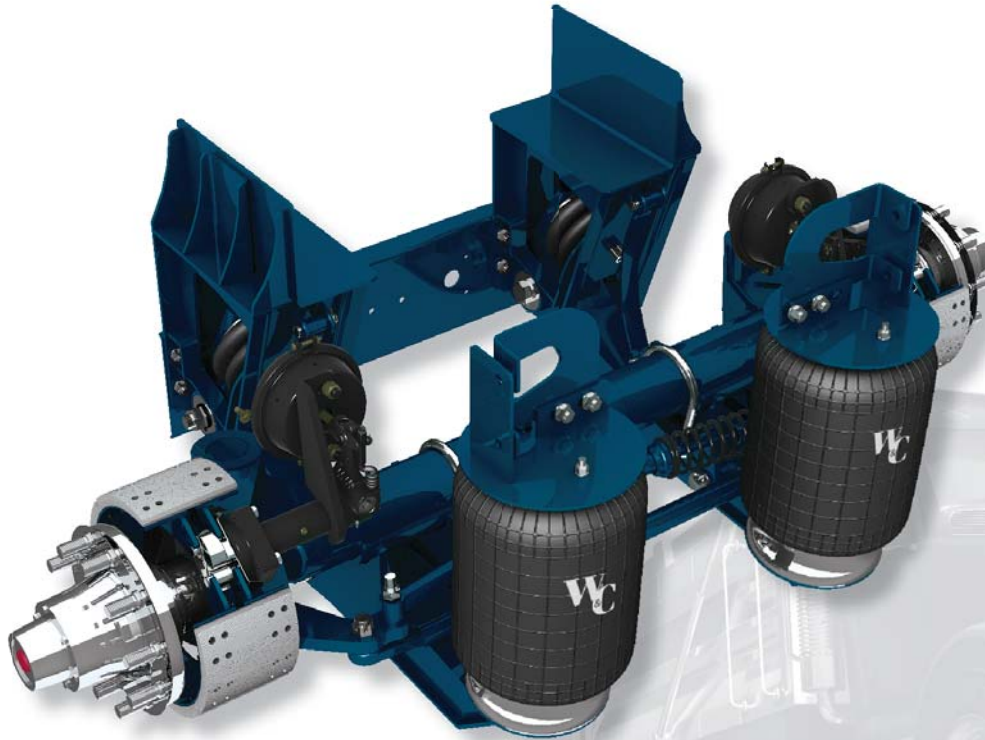


# SL25K-2200

SELF-STEERING AXLE AND LIFT SUSPENSION SYSTEM

# SL SERIES



## SL25K-2200

The **SL25K-2200** with a rated capacity up to 25,000 pounds is designed for use with dual or super single tires. This steerable lift axle is compliant with Ontario, Canada "SPIF" regulations and is ideal for dump, heavy-haul and miscellaneous applications. The SL25K-2200 is backed by our 5-year limited warranty\*.

- 25,000 pound suspension capacity
- Compliant with Ontario, Canada "SPIF" regulations
- Ride Heights: 7 thru 14 inches
- 5-year limited warranty\*

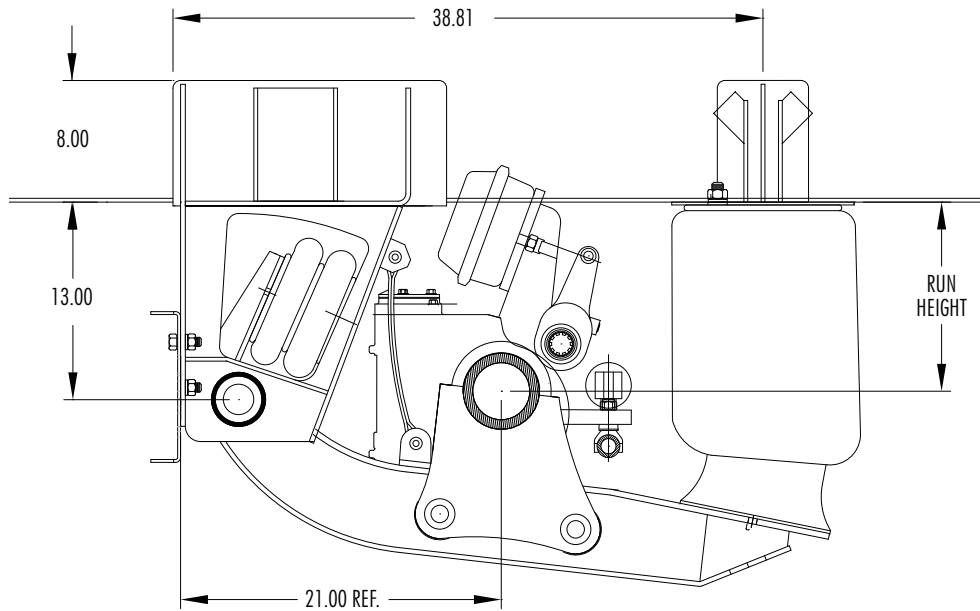
\* Contact your local Watson & Chalin representative for complete warranty terms, conditions and limitations.

For more information, call 800.445.0736



Watson and Chalin is a brand of Hendrickson

## Integrated Suspension and Axle Assembly



### SL25K-2200 Specifications

Capacity:	25,000 pounds
Weight:	1,500 pounds
Travel:	8.75 inches
Lift:	5 inches
Ride Heights:	7 to 14 inches
Wheel Cut:	20 degrees

- Positive down straps
- Preset caster
- Bent tube or straight axle available
- Factory pre-plumbing available

Contact Watson & Chalin at **972.547.6020** for additional information.



**Watson & Chalin**  
 725 E. University Drive, McKinney, Texas 75069  
 972.547.6020 • 800.445.0736 • Fax 972.542.0097  
[www.watsonsuspensions.com](http://www.watsonsuspensions.com)

