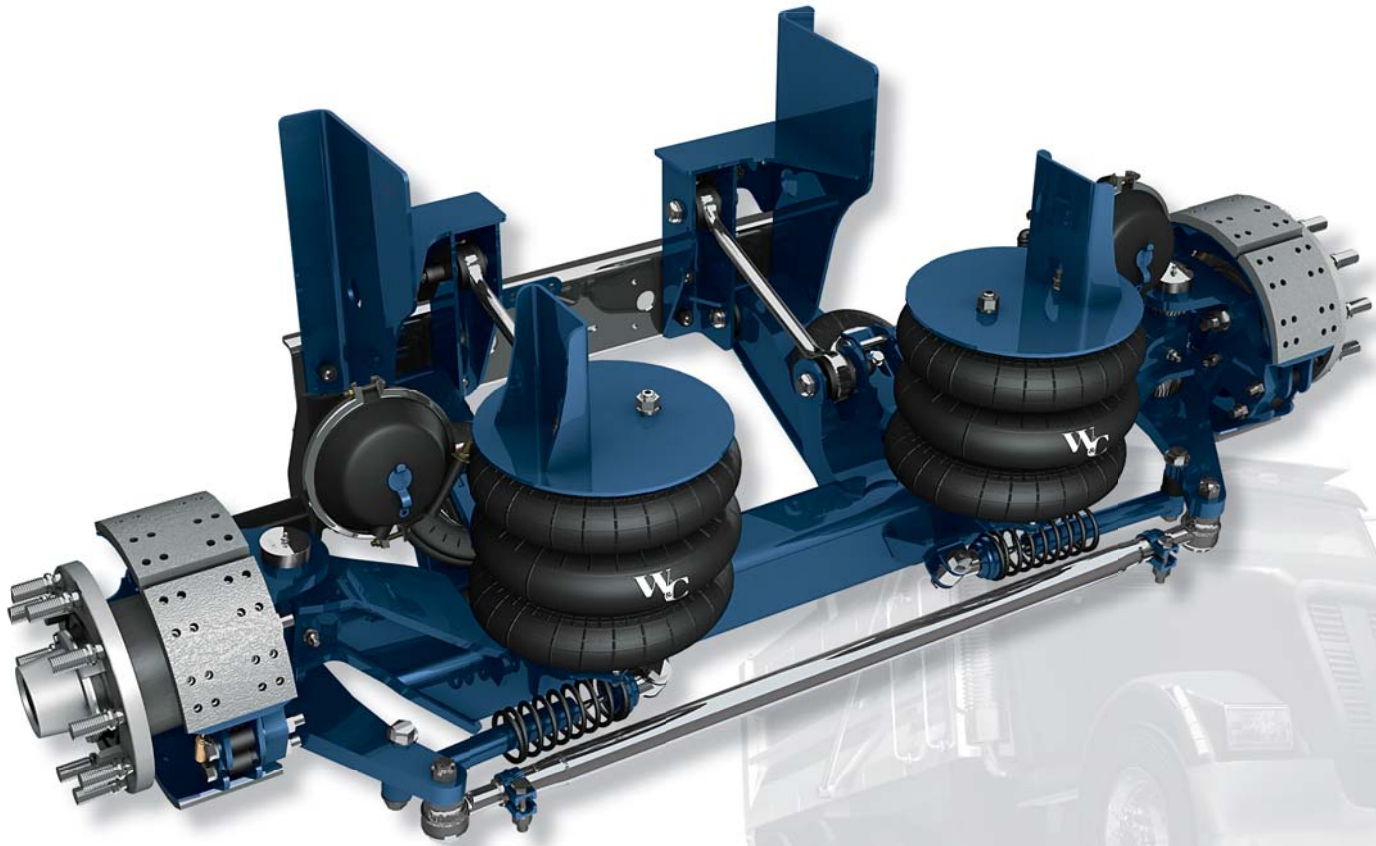


SL20K - 2065 TRU-TRACK

STEERABLE LIFT AXLE SYSTEM

SL SERIES



SL20K-2065

The **SL20K-2065 Tru-Track** with a rated capacity of 20,000 pounds sets the standard as a robust and innovative steerable lift axle. Weighing in at 1,297 pounds, the SL20K-2065 maintains the durability and features that you have come to expect from Watson & Chalin by delivering exceptional maneuverability with an industry leading 25 degrees of wheel cut while accepting 445/65R22.5 tires. The vertically integrated SL20K-2065 is currently available in truck mounts and trailer mounts and backed by our 5-year limited warranty*.

- 20,000 pound suspension capacity
- Compatible with 445/65R22.5 tires
- Quick-change ride height system
- 5-year limited warranty*

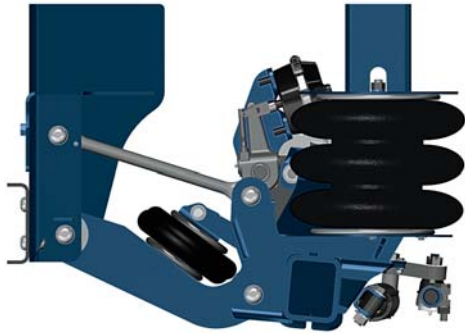
* Contact your local Watson & Chalin representative for complete warranty terms, conditions and limitations.

For more information, call 800.445.0736



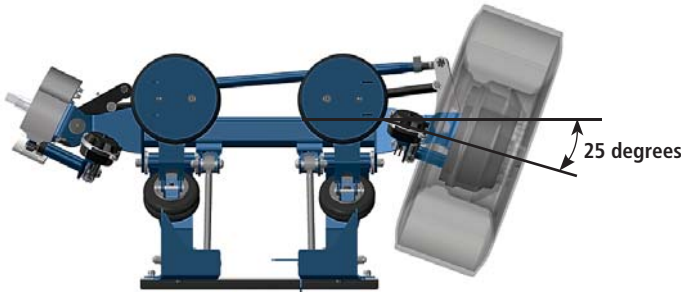
Watson and Chalin is a brand of Hendrickson

Integrated Suspension and Axle Assembly



Convenient Ride Height Adjustment

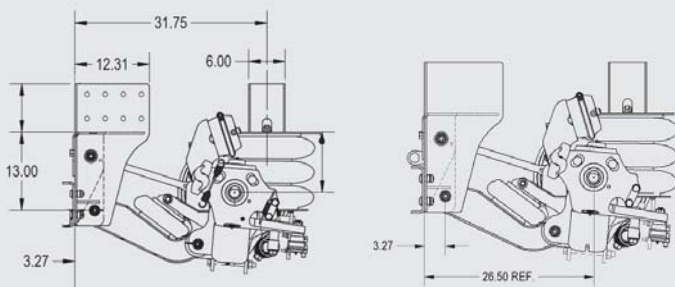
Suspension does not have to be removed or parts fabricated.



SL20K-2065 Specifications

Capacity:	20,000 pounds
Weight:	1,297 pounds
Travel:	12 inches
Lift:	Up to 8 inches
Ride Heights:	8 to 13 inches
Wheel Cut:	25 degrees
Packaging Space:	26.5 inches
Kingpin Kit:	SRK107
Bushing Kit:	SRK2055-2
Load Air Spring:	ASO222
Lift Air Spring:	AS00058-1F

- Preset caster
- Pre-plumbed options
- Narrow 89 drumface for increased body clearance
- Reverse lock-out kit available
- Dual self-centering stabilizers
- Air-ride – air lift
- Parallelogram design
- Fabricated axle



A unique parallelogram design provides a 26.5 inch packaging space allowing easier configurations and is offered in ride heights from 8 to 13 inches and features a quick-change ride height system.

Contact Watson & Chalin at **972.547.6020** for additional information.



Watson & Chalin
725 E. University Drive, McKinney, Texas 75069
972.547.6020 • 800.445.0736 • Fax 972.542.0097
www.watsonsuspensions.com

