

# PRODUCT UPDATE



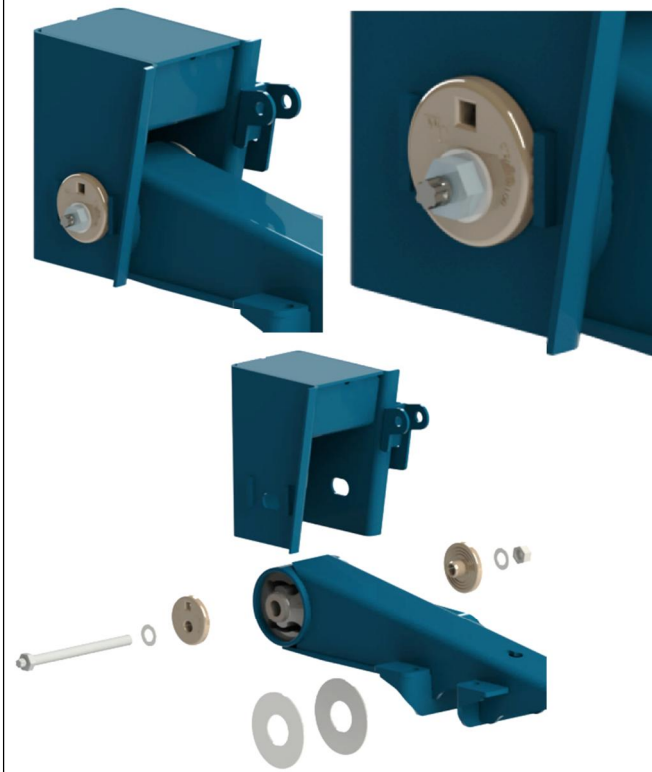
Subject: Align-Trac Trailer Air Pivot  
Connection

Lit No: LIT1002

Date: 05/29/2015 Revision: A

Watson & Chalin announces a new option at the trailing arm-to-hanger pivot connection for trailer air suspensions. In late 2014, Watson & Chalin began offering, on a limited basis, a new eccentric pivot connection, referred to as the Align-Trac, which utilizes a 7/8" fastener and only one adjustable eccentric collar at each suspension hanger. Previously, the only available option for a pivot connection that allowed for axle realignment was our standard eccentric collar system that utilizes a 1 1/8" fastener and requires eccentric collars at both sides of each suspension hanger. The smaller fastener on the new option allows installation with reduced fastener torque than the original connection. With only one adjustable collar per hanger, it also eliminates the need to ensure both collars are rotated in unison during the axle alignment procedure. The new option utilizes a new shear bolt that eliminates the need for a torque wrench during final tightening procedure.

### New Align-Trac



### Original Eccentric

