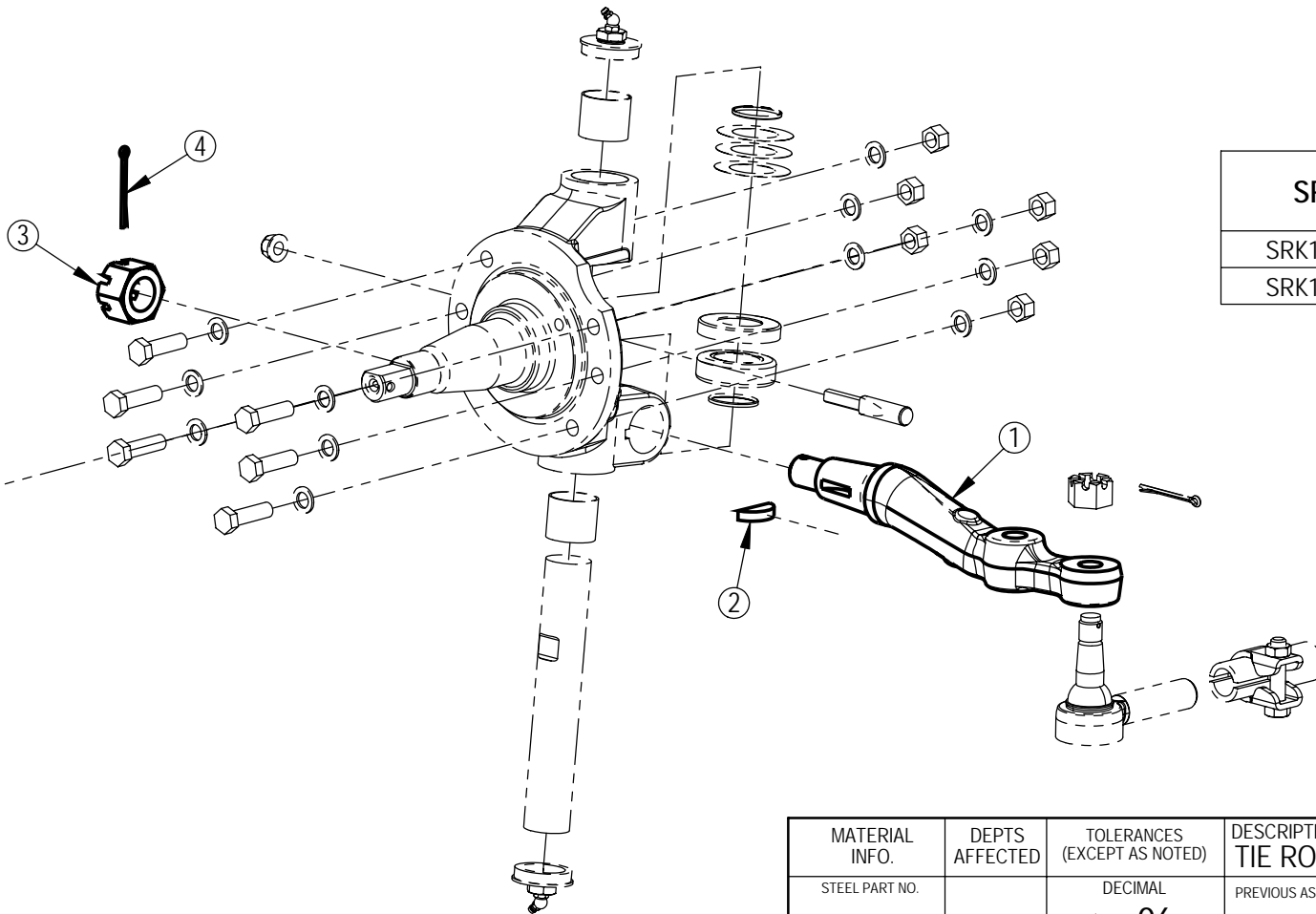


REV.	DESCRIPTION	ECN	DATE	BY
A	NEW DRAWING	7205	9/30/2009	EFR

ITEM NO.	SRK116/QTY.	PART NUMBER	OLD PART NUMBER	DESCRIPTION
1	1	CHART	CHART	TIE-ROD ARM
2	1	143699-0108627	19490	WOODRUFF KEY
3	1	143699-0218521	19491	CASTLE NUT - TIE ROD ARM
4	1	143699-0103412	19492	COTTER PIN-TIE ROD ARM



SRK	ITEM #1 PART NO.	ITEM #1 OLD PART NO.
SRK116-10	140330-0063	19608-001-10
SRK116-20	140330-0064	19608-001-20

SPECIAL CHARACTERISTICS SYMBOL LEGEND	
(X.XX)	W/C CRITICAL DIM
** X.XX	DESIGNATES A ± .125 TOL.
* X.XX	DESIGNATES A KEY CUSTOMER CHARACTERISTIC
KCC	NAVISTAR/INTERNATIONAL
K	FREIGHTLINER
M	MACK TRUCKS
C	PACCAR

NOTE: PARENTHESIS () DENOTES REFERENCE DIMENSION

MATERIAL INFO.	DEPTS AFFECTED	TOLERANCES (EXCEPT AS NOTED)	DESCRIPTION: TIE ROD ARM REPAIR KIT SL0851 (WESTPORT)			
STEEL PART NO.	-	DECIMAL ± .06	PREVIOUS ASSY:		-	
MATERIAL:	-	FRACTIONAL ± 1/16	SUSPENSION MODEL:	SCALE:	SL08XX 1:6	
WEIGHT:	-	ANGULAR ± 1.0°	DATE:	DRAWN BY:	SIZE:	DRAWING NO:
			09/30/09	EFR	A	SRK116

