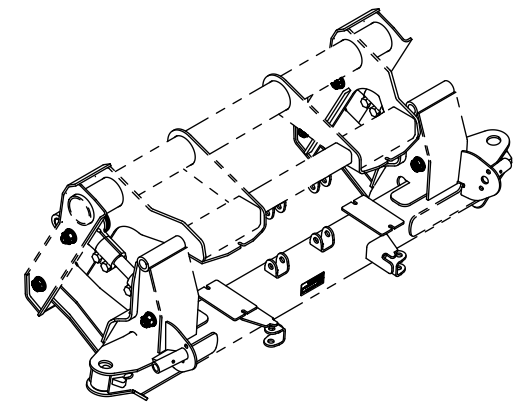
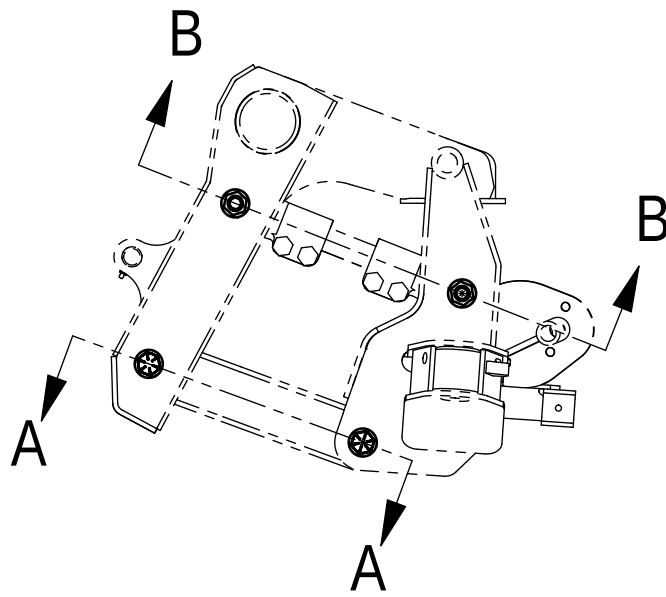
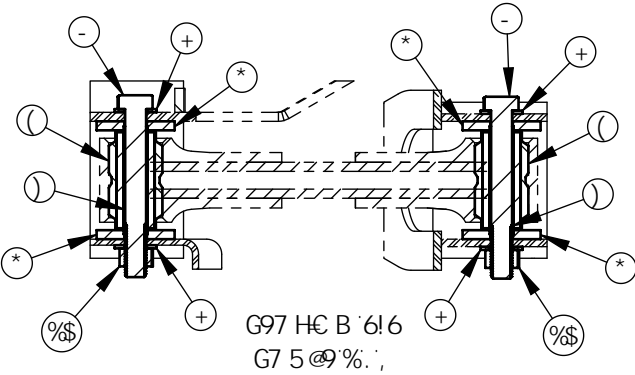
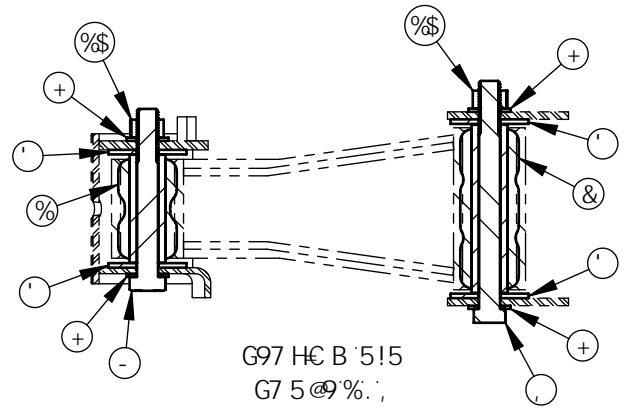


F9J "	89G7 F-DHC B	97 B	85H9	6M
5	B9K 8F5K -B;	' \$\$) &	,\$ #&+##&\$%)	7FA

ITEM NO.	QTY	PART NUMBER	DESCRIPTION
1	2	12931-01	BUSHING SL1100LW 7/8" ID
2	2	12932-01	AXLE SEAT BUSHING
3	8	12927-01	PIVOT WASHER
4	4	17171	PIVOT BUSHING
5	4	17161-05	DELTRIN LINER 7/8" TO 1"
6	8	91085	WASHER, 3.25X.94X.375
7	16	17010	WASHER FLAT .88X1.5 HRD
8	2	19800-12	CAPSCREW 7/8-9 X 9.5
9	6	19800-13	CAPSCREW 7/8-9 X 7.00
10	8	19801-10	NUT LOCK 7/8-9 GR C



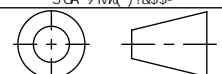
5 @K 5HC B 5B8 7 <5 @B 'BHP@97 H 5 @
DFC D9FHM/ DFC DF 9H5FM B: C FA 5HC B 'GDFCH97 H98 6M 'G' /
BHPB5HC B5 @7 C DMF # <H @K G' 5BMI G9K H C I H
H-9 9LDF9GK F+H9B 'D9FA -GGC B C: K 5HC B 5B8 7 <5 @B DFC <6+H8"

GD97 5@7 <5F57 H9F GH7 G
GMA 6C @@ 9B8
2L" LLO K #7 7F#7 5@8-A
fL" LLL": C F F9: 9F9B79CB @M
H L" LL 89G+ B5HG5 -" @& " HC @
L" LL 89G+ B5HG5 ?9M
71 GCA 9F 7 <5F57 H9F GH7

I B @GGC H: 9FK -G9 BC H98
HC @F5B7 95F9.
L: Z # " %
LL: Z # " \$ *
LLL: Z # " \$ \$
5B: I @F. " Z # ") °
HC FE I 9: Z % \$! # \$!
H F 8 5B: @ DFC >97 HC B
8 A 9BGC BG58 <9F9 HC
5GA 9M (") 1 \$ \$ -

A 5H9F 5 @
GH99 @DB"
K 9+ <H !
A C 89 @ G @B% ' H @
8F5K B 6M 7 FA
85H9 \$, #&+##&\$%)

K 5HC B / ' 7 <5 @B ' A : ; ' B7
+&) 95 GHI B 9FG+M8F 9'
A 7 ? B B 9MH9L 5G+) \$* -
H H @ G @B% ' H @ 6I G <B: ' F 9D5 F '
? #
G <99H G7 5 @ G A9 8K : ' BC "
% C : % % @ & 5 GF ? % % ' H @



&

%