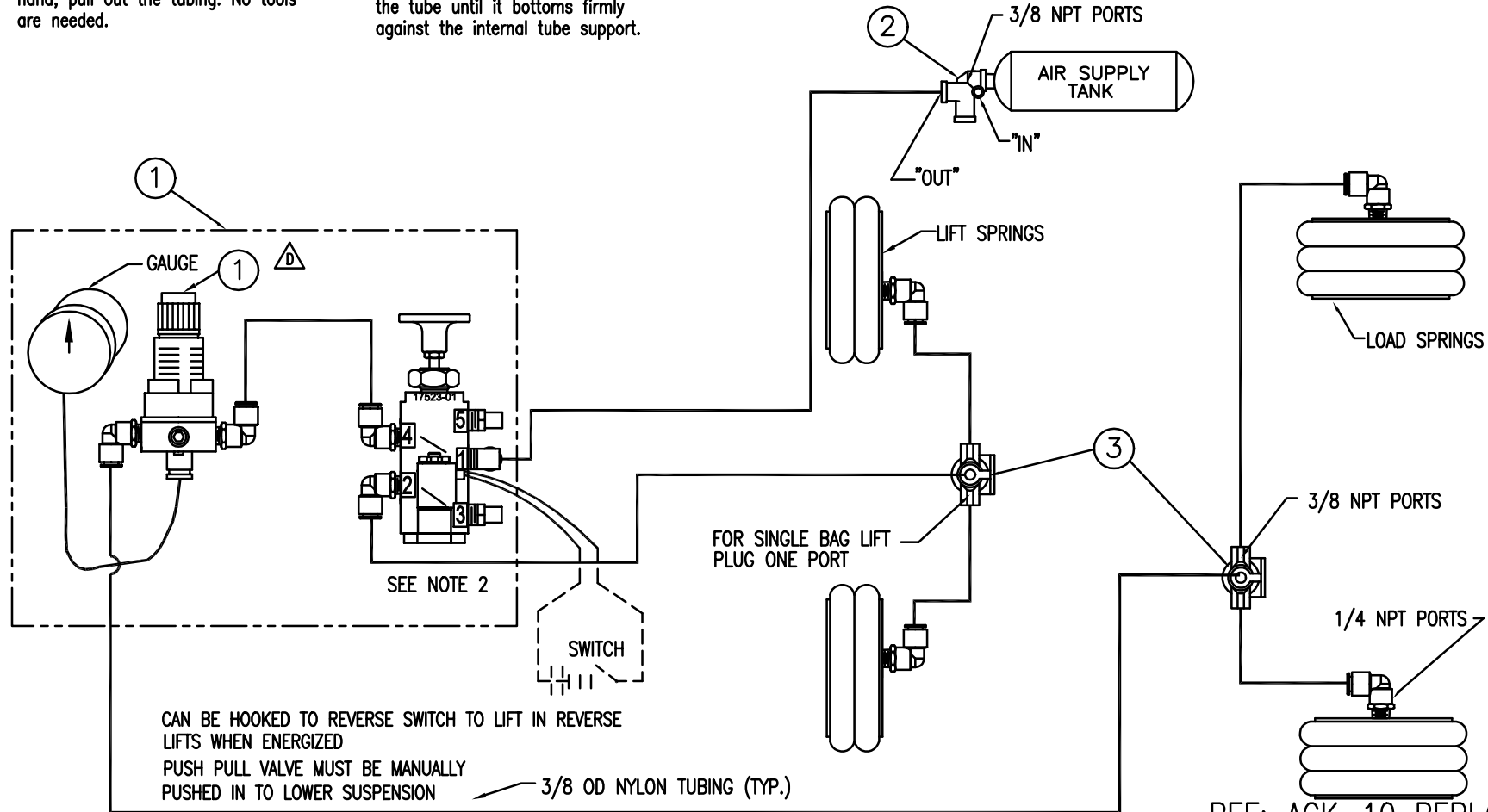


LEVEL	REVISION DESCRIPTION	DATE	DATE	BY
A	CHANGE WIRING DETAIL VIEW	-	1/23/96	KDH
B	ADDED NOTES	1996	9/30/98	JFF
C	SHOWED WEATHER PLUG	2768	3/13/03	JFF
D	UPDATED ITEM #1	3044	12/07/03	JFF
E	CHARTED ITEM#1	3143	12/07/03	JFF
F	ADDED NOTE# 2	3183	4/21/04	JFF

ITEM	PART NO.	QTY.	DESCRIPTION
1	CHART	1	CONTROL PANEL ASSEMBLY
2	10100	1	BRAKE PROTECTION VALVE
3	10099	2	QUICK RELEASE VALVE

TO CONNECT TUBE:
 Cut plastic tube squarely.
 Insert tube end into fitting,
 slide the I.D. of the tube over the
 tube support until friction is felt as
 tube slides past the O'ring. Using a
 slight twisting motion while inserting
 the tube is helpful. After this initial
 friction is felt, continue to push in
 the tube until it bottoms firmly
 against the internal tube support.

TO DISCONNECT TUBE:
 With thumb and forefinger, hold down
 the top of the insert against the
 fitting body and then, with the other
 hand, pull out the tubing. No tools
 are needed.



CAN BE HOOKED TO REVERSE SWITCH TO LIFT IN REVERSE LIFTS WHEN ENERGIZED
 PUSH PULL VALVE MUST BE MANUALLY PUSHED IN TO LOWER SUSPENSION

3/8 OD NYLON TUBING (TYP.)

NOTE:

- ALL NYLON TUBING AND FITTINGS FURNISHED BY CUSTOMER. (EXCEPT FOR CONTROL PANEL)
- MANUAL OVERRIDE TO BE SET TO 0 (OFF) FOR SOLENOID TO OPERATE

SEE NOTE 1

REF: ACK-10 REPLACEMENT

PART PROPERTIES	TOLERANCES (EXCEPT AS NOTED)	DESCRIPTION			
AREA	DECIMAL ±	MANUAL ACK W/ 12V OVERRIDE			
CUT LENGTH	FRACTIONAL ±	SUSPENSION MODEL	SCALE	PREVIOUS ASSEMBLY	
WEIGHT	ANGULAR ±	DATE	CHKD BY	DRAWN BY	SIZE
		12/7/95	-	KDH	A
					DRAWING NO.
					ACK-50

PART NO.	APPLICATION	ITEM #1
ACK-50	STANDARD PRESSURE	990022
ACK-50LP	LOW PRESSURE	990022-1

WATSON & CHALIN MFG., INC.