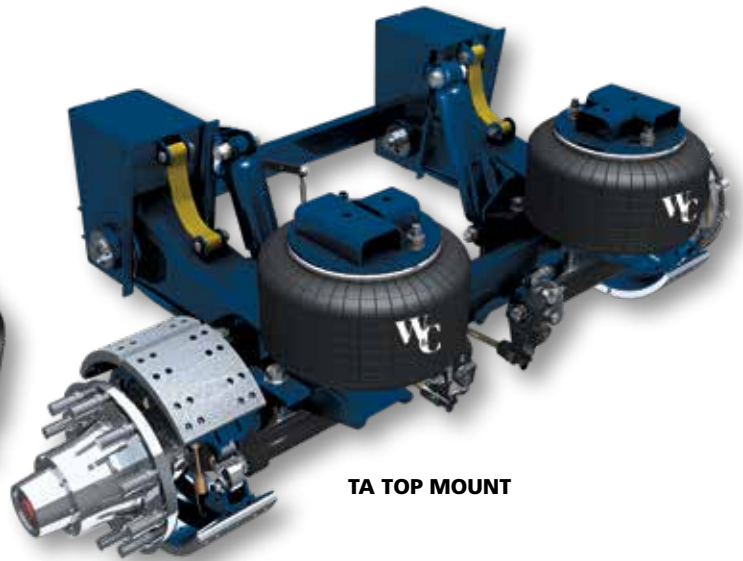




TA TOP MOUNT
SUSPENSION KIT



TA TOP MOUNT



TA300

The **TA300** is a primary trailer suspension with a rated capacity of 30,000 pounds. Proven technology that performs in rugged conditions. The TA suspension delivers value to the end user with its durable, proven design and is backed by W&C superior customer service.

- Different models for a wide range of applications
- Capacities of 25,000 - 30,000 pounds
- Ride heights up to 24 inches
- Available as suspension kit or as an assembly with axles
- Special axle tracks available
- 5-year limited warranty*

* Contact your local W&C representative for complete warranty terms, conditions and limitations.

MADE IN THE U.S.A.

For more information, call 800.445.0736



TA300 Specifications



TOP MOUNT



LOW MOUNT



UNDERSLUNG

| | | | |
|---------------|-----------------|---------------------|------------------|
| Capacity: | 30,000 pounds | 30,000 pounds | 30,000 pounds |
| Travel: | 8 inches | 9 inches | 9 inches |
| Lift: | 3 to 4 inches | 5.11 to 5.31 inches | 2 to 5 inches |
| Ride Heights: | 15 to 24 inches | 14 to 24 inches | 6.5 to 17 inches |
| Weight*: | 333 pounds | 440 pounds | 351 pounds |

*Weight includes suspension kit only – axles not included

| TA - Trailer Air North America | Dry Van & Reefer | Drop Frame Van | Auto Hauler | Container Chassis | Chip Van & Logging* | Flat or Platform | Lowboy & Drop Deck | Dump (Rear & Side)* | Dump (Bottom)* | Tanker* | Grain Hopper | Livestock |
|--------------------------------|------------------|----------------|-------------|-------------------|---------------------|------------------|--------------------|---------------------|----------------|----------|--------------|-----------|
| TA300T20 | | | | | P | | | P | P | P | P | P |
| TA300U20 | | | | | O | | O | | P | | | |
| TA300L20 | | | | | O | O | | | | | | |

P - Preferred O - Optional

* Use of P spindle is preferred for heavy-duty and wheel outset applications.

Note: Specific applications that are not typical must be approved by Watson & Chalin on a case by case basis.

Value Added Options

- Lift Axle Kits
- Air Control Kits
- Air Disc Brakes
- Tire Inflation Systems
- ALIGN-TRAC™ – Quick, easy alignment system

* Contact your local W&C representative for complete warranty terms, conditions and limitations.

Actual product performance may vary depending upon vehicle configuration, operation, service and other factors.

All applications must comply with applicable specifications from Watson & Chalin and the respective vehicle manufacturer.

Contact Watson & Chalin for additional details regarding specifications, applications, capacities, and operation, service and maintenance instructions.

Contact Watson & Chalin at 972.547.6020 for additional information.



Watson & Chalin

725 E. University Drive, McKinney, Texas 75069
972.547.6020 • 800.445.0736 • Fax 972.542.0097

www.watsonsuspensions.com