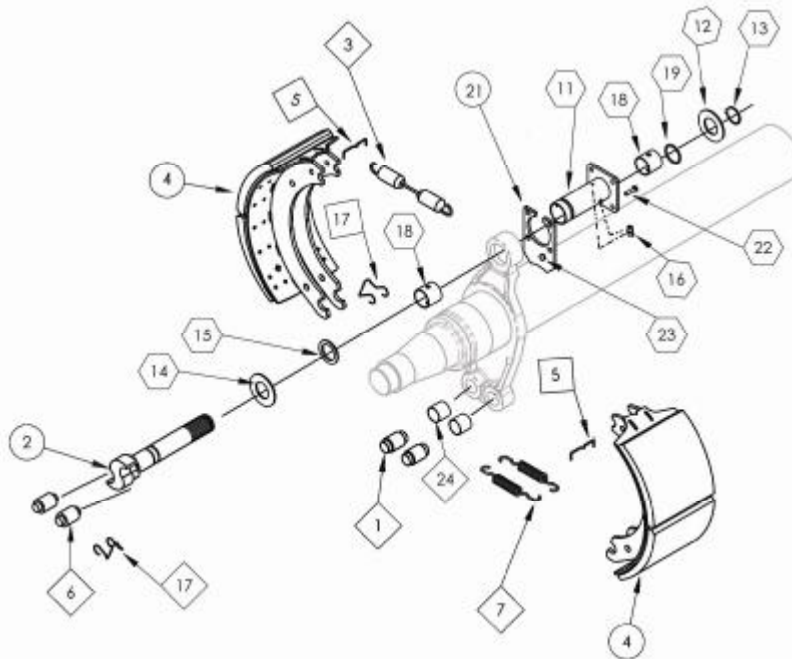


16.5 x 7 BRAKE

INTEGRA WATSON & CHALIN AXLE BRAKE PARTS T1250-302T SERIES (1 PIECE SPIDER)

TI SERIES



ITEM 1, 3, 5, 6, 7, 17, & 24. INCLUDED IN BRSK06.
 ITEMS 11, 12, 13, 14, 15, 16, 18, 19, 22, & 23 INCLUDED IN BCBK10/10-01
 REF: WATSON & CHALIN 19512

PARTS LIST

NO.	QTY PER BRAKE	WC/ VENDOR PART #	DESCRIPTION	NO.	QTY PER BRAKE	WC/ VENDOR PART #	DESCRIPTION
1	2	D11-0201	ANCHOR PIN	14	1	C15-0102	CAMSHAFT SPACER WASHER
2	1	3304-0626L	CAMSHAFT LH	15	1	C14-0201	SPIDER SEAL
		3304-0626R	CAMSHAFT RH	16	2	T1152-06 3016	GREASE ZERK 1/8"NPT
3	1	3007	BRAKE SHOE RETURN SPRING	17	2	D22-0201	CAM ROLLER RETAINER
4	2	601501-CM18	BRAKE SHOE ASSAY. (FMSI 4515)	18*	1	3309-2038-01	CAM ENCLOSURE BUSHING W/HOLE
5	1	D23-0101	BRAKE SHOE SPRING CLIP	19	1	3955-2001	O-RING
6	2	D21-0101	CAM ROLLER	21	1	3204-3002	CAMSHAFT ENCLOSURE BRACKET
7	1	D12-0101	SPRING RETAINER	22	4	10040	CAPSCREW .25 X 1.00 UNC
11*	1	990457	CAMSHAFT ENCLOSURE	23	4	10027	.25 UNC LOCKNUT
12	1	C15-0105	CAMSHAFT SPACER WASHER	24	2	B12-0101	ANCHOR PIN BUSHING
13	1	C16-0301	CAM RETAINING RING				

* ITEM 18 SOLD SEPARATELY OR INCLUDED IN ITEM 11

Rev 12.15.2009



Watson Suspension Systems

725 E. University Drive • McKinney, Texas 75069 • (800) 445-0736 • (972) 547-6020 • Fax (972) 542-0097