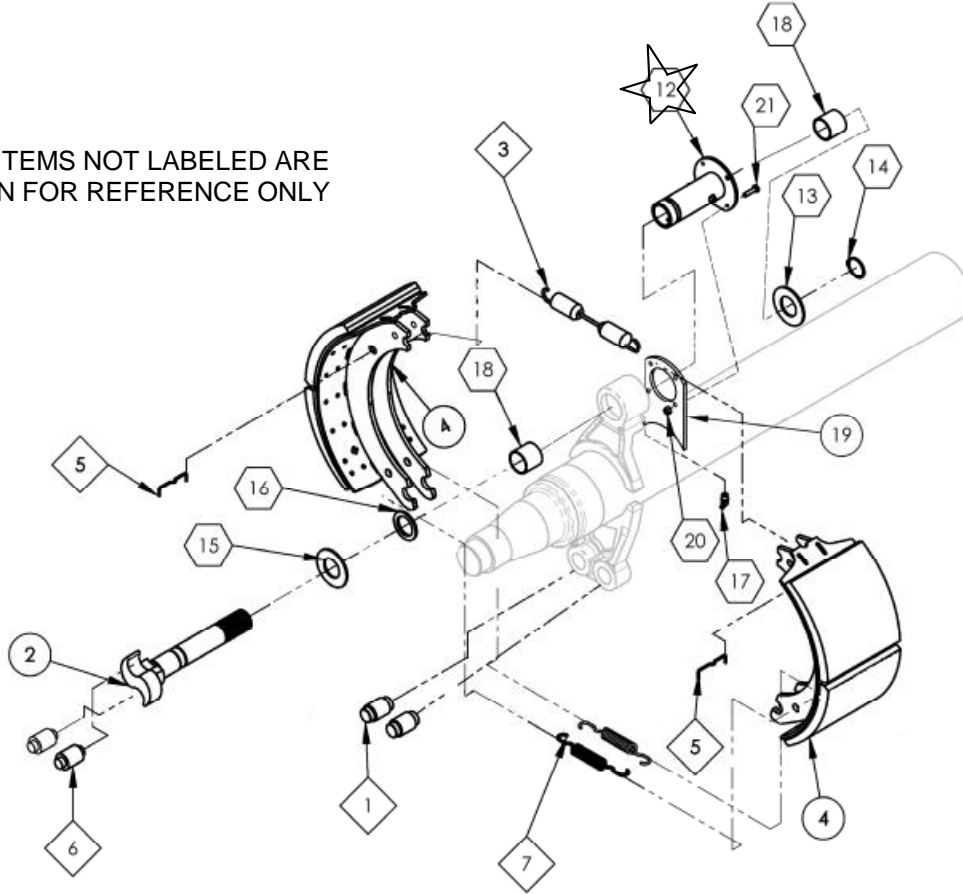


**16.5x7
BRAKE**

**16.5X7 BRAKE EXPLODED VIEW INTEGRA-IMT
(TI250-302T SERIES 2 PIECE SPIDER)**

**TI SERIES
IMT**

GREY ITEMS NOT LABELED ARE SHOWN FOR REFERENCE ONLY



★ BBAK09 INCLUDES ITEM 13, 14, 15, 16, 17, 20, 21 IN KIT AND 12, (WHICH HAS 2 ITEMS 18 INSTALLED IN IT)

⬡ BBAK09-LC INCLUDES ITEMS 13, 14, 15, 16, 17, 18, 20, 21 (**NO** ITEM 12) IN KIT

BRK09 INCLUDES ITEM #'s 1, 3, 5, 6, 7 IN KIT

REF: WATSON & CHALIN AXLE & BRAKE ASSEMBLY DRAWING 18078-EX

PARTS LIST

NO	QTY PER BRAKE	PART #	DESCRIPTION	NO	QTY PER BRAKE	PART #	DESCRIPTION
1	2	203501	ANCHOR PIN	13	1	403121	CAMSHAFT SPACER WASHER
2	1	202127-090-LH	CAMSHAFT LH 9" UH	14	1	214108	CAM RETAINING RING
	1	202127-090-RH	CAMSHAFT RH 9" UH	15	1	403107	CAMSHAFT SPACER WASHER
3	1	208104	BRAKE SHOE RETURN SPRING	16	1	408101	SPIDER SEAL
4**	2	Not Sold By W&C	601501** SHOE ASSY FMSI 4515	17	1	407102	GREASE FITTING
5	2	207100	BRAKE SHOE SPRING RETAINER	18*	2	405134	CAM ENCLOSURE BUSHING
6	2	204101-001	CAM ROLLER	19	1	209999-089	CAMSHAFT ENCLOSURE BRACKET
7	2	208502	SPRING RETAINER	20	4	10027	.25 UNC LOCKNUT
12*	1	18078-022K	CAMSHAFT ENCLOSURE BRKT	21	4	10040	CAPSCREW .25 X 1.00 UNC

* ITEMS 18 SOLD SEPARATLY OR INCLUDED IN ITEM 12

** 601501-(CM18) & (IMT23) BOTH USED. VERIFY SHOE USED



Watson Suspension Systems

REV 10.28.2009

725 E. University Drive • McKinney, Texas 75069 • (800) 445-0736 • (972) 547-6020 • Fax (972) 542-0097