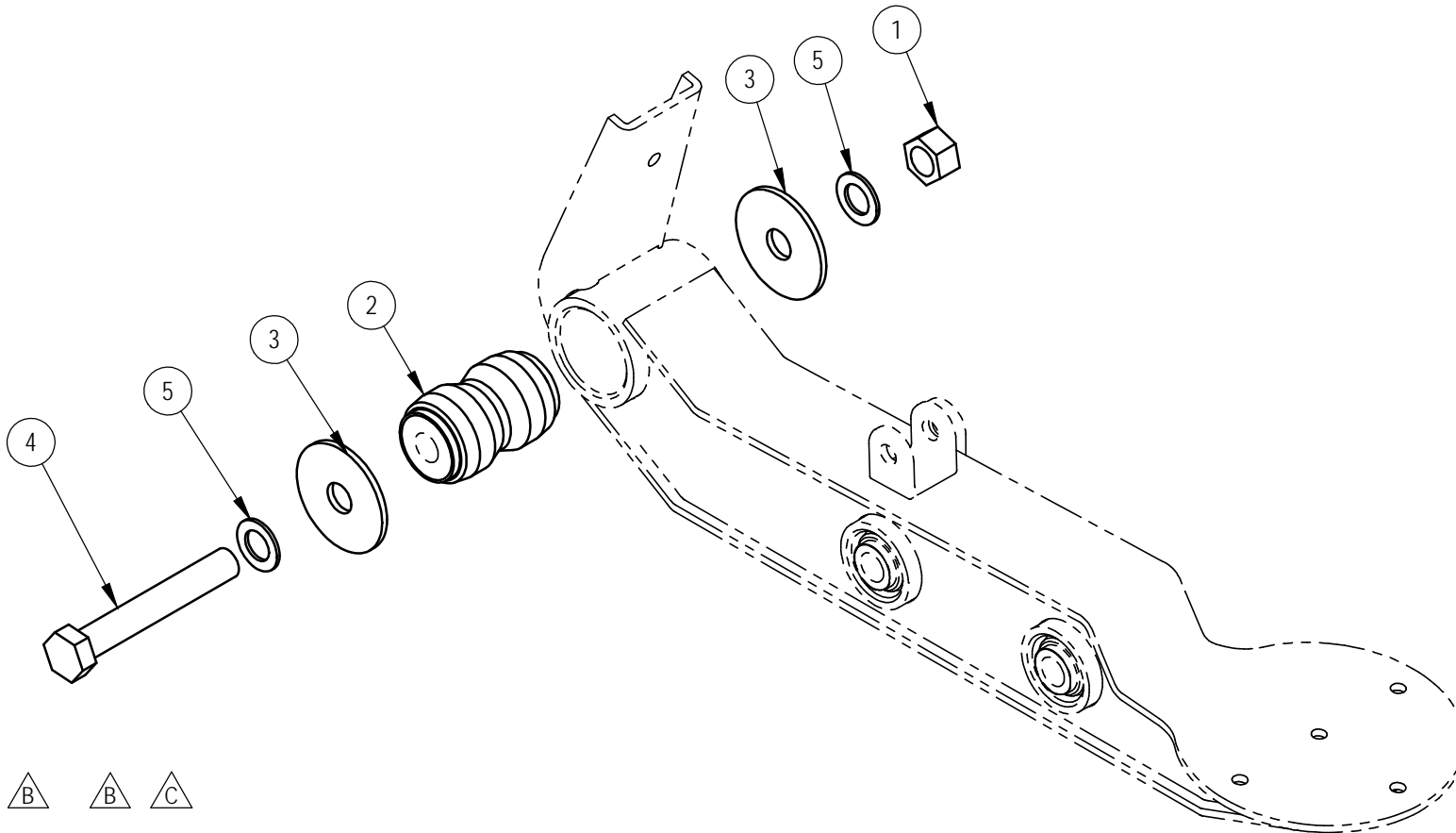



REV.	DESCRIPTION	ECN	DATE	BY
A	NEW DRAWING	C-4261	10/23/2006	TEG
B	ITEM # 1 WAS 19040F-113, ADDED ITEM #5	C4979	12/4/2007	JFF
C	ITEM #5 QTY WAS 2	C5434	5/14/2008	JFF
D	ADDED EXPLODED VIEW	C-6081	1/16/2009	TLK



SERVICE REPAIR KIT SRK11			TA HD BEAM END MAINTENANCE KIT		DEPTS AFFECTED	TOLERANCES (EXCEPT AS NOTED)	DESCRIPTION: SRK KIT		
ITEM	PART NO.	QTY	DESCRIPTION		7300	DECIMAL	PREVIOUS ASSY:	 Watson Suspension Systems	
1	10023	2	NUT TOPLOCK 1.12			$\pm .03$	VARIES		
2	11771	2	PIVOT BUSHING 5.25			FRACTIONAL	SUSPENSION MODEL:		SCALE:
3	11720	4	WASHER FLAT 1.12			$\pm 1/32$	VARIES		1:6
4	11225	2	CAPSCREW 1.12 X 9.75			ANGULAR	DATE:		DRAWN BY:
5	10045	4	WASHER FLAT 1.12 HARDENED		$\pm 0.5^\circ$	10/23/06	TEG	SIZE: A	
								DRAWING NO: SRK11	