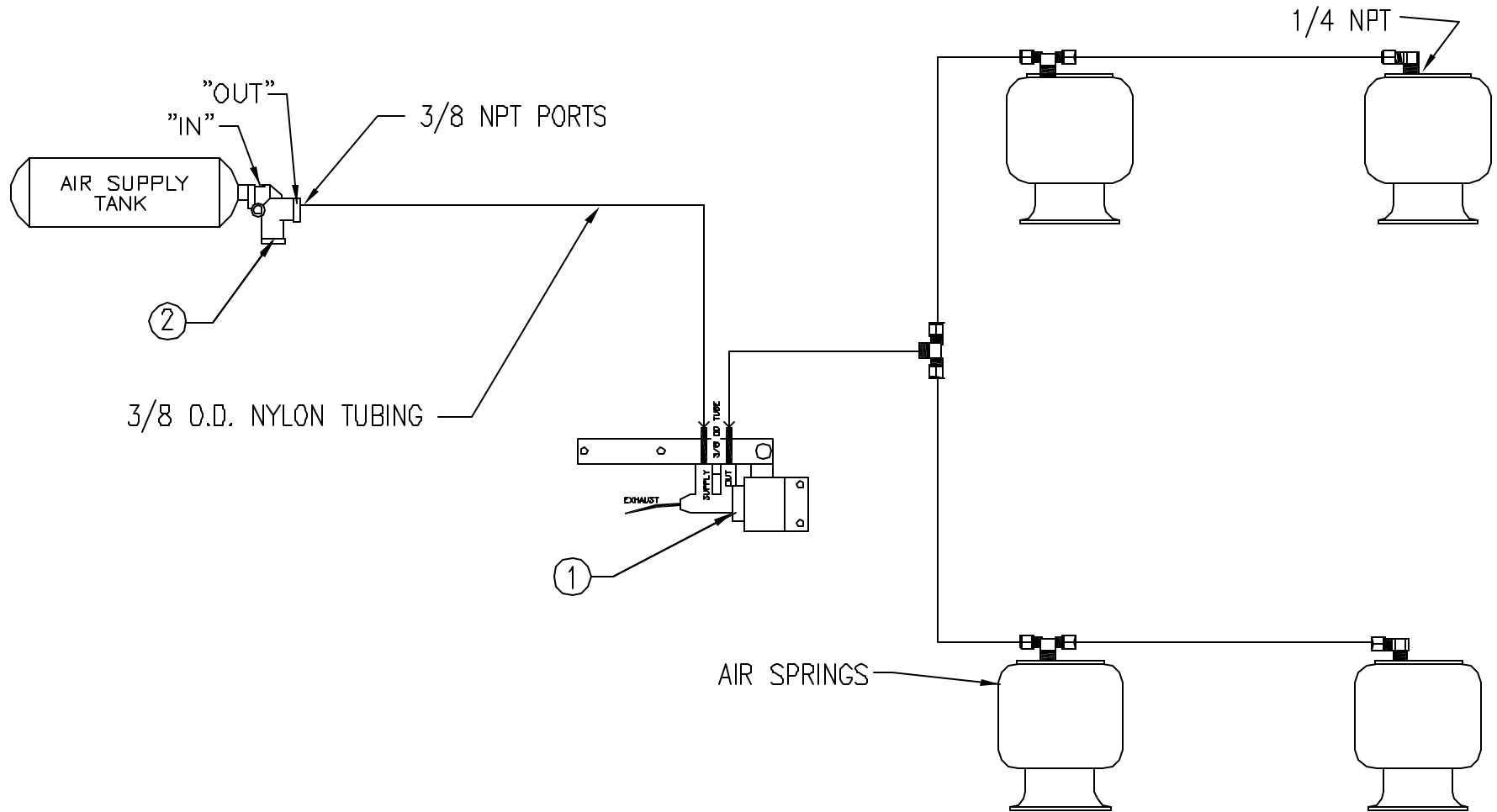


| LEVEL | REVISION | DESCRIPTION | ECN | DATE | BY |
|-------|-------------------|-------------|------|----------|--------|
| A | NEW DRAWING | | 2768 | 3/04/03 | JFF |
| B | ITEM #1 WAS 17760 | | 5520 | 06/09/08 | DBL/TK |
| C | - | | - | - | - |

△ B

| ITEM | PART NO. | QTY. | DESCRIPTION |
|------|----------|------|------------------------|
| 1 | 17760-04 | 1 | LEVELING VALVE(HADLEY) |
| 2 | 10100 | 1 | BRAKE PROTECTION VALVE |



NOTES:

1. DIAGRAM IS SHOWN FOR TANDEM SUSPENSION. FOR SINGLE SUSPENSION, OMIT FRONT AIR SPRINGS.
2. NYLON TUBING AND FITTINGS FURNISHED BY CUSTOMER.
3. ALL EXTERNAL EXHAUST PORTS MUST USE MINIMUM 6.00 LONG DRAIN TUBE FACING DOWN

| SINGLE LEVELING VALVE SYSTEM | | | | | |
|------------------------------|------------------------------|---------------------------------------|---------|-------------------|-------------|
| PART PROPERTIES | TOLERANCES (EXCEPT AS NOTED) | WATSON & CHALIN MFG., INC. | | | |
| AREA | DECIMAL ± | DESCRIPTION | | MATERIAL | |
| - | | SEE ABOVE | | - | |
| CUT LENGTH | FRACTIONAL ± | SUSPENSION MODEL | SCALE | PREVIOUS ASSEMBLY | |
| - | | | NTS | - | |
| WEIGHT | ANGULAR ± | DATE | CHKD BY | DRAWN BY | SIZE |
| - | | 3/04/03 | - | JFF | A |
| | | | | | DRAWING NO. |
| | | | | | ACK203 |