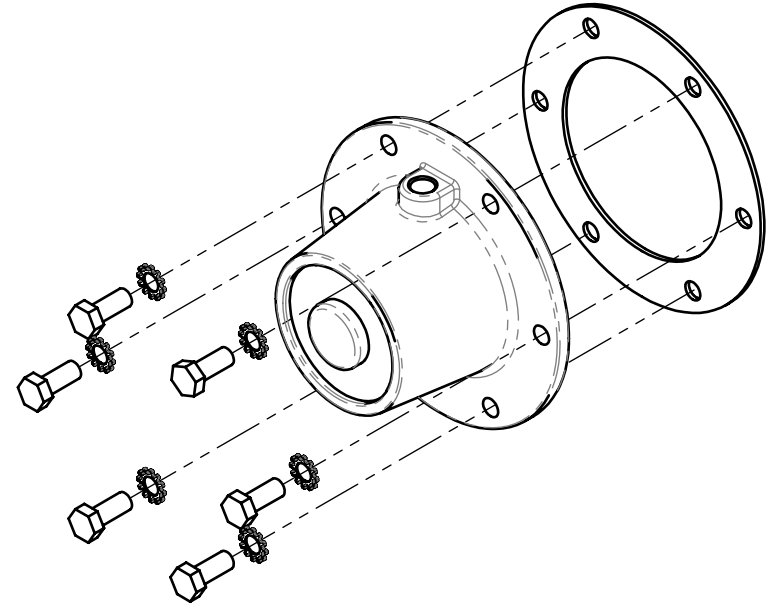


REV.	DESCRIPTION	ECN	DATE	BY
A	NEW DRAWING	300129	01/24/2015	JS



PART NO.	QTY	DESCRIPTION
17573	1	HUB CAP GASKET 330-3024
10259	6	WASHER .31 STAR GR8
10258	6	CAPSCREW .31X.75 ZINC UNF HUBCAP GR8
17345ST	1	HUBCAP STMCO W/O GASKET

<p>ALL WATSON AND CHALIN INTELLECTUAL PROPERTY & PROPRIETARY INFORMATION IS PROTECTED BY U.S. & INTERNATIONAL COPYRIGHT LAWS. ANY USE WITHOUT THE EXPRESS WRITTEN PERMISSION OF WATSON AND CHALIN PROHIBITED.</p>	<p>SPECIAL CHARACTERISTICS SYMBOL LEGEND</p>	<p>UNLESS OTHERWISE NOTED TOLERANCE ARE: X: +/- .1 XX: +/- .06 XXX: +/- .030 ANGULAR: +/- .5° TORQUE: +10%/-0% <small>THIRD ANGLE PROTECTION DIMENSIONS ADHERE TO ASME Y14.5-2009</small></p>	MATERIAL		<p>WATSON & CHALIN MFG INC 725 EAST UNIVERSITY DRIVE MCKINNEY TEXAS 75069</p>			
	>X.XX< W/C CRITICAL DIM (X.XX) FOR REFERENCE ONLY		STEEL PN.			<p>TITLE HUB CAP KIT 13K STEERABLE FF SPINDLE</p>		
	**X.XX DESIGNATES A ± .125 TOL.		WEIGHT:	lbs	SHEET		SCALE	SIZE
	*X.XX DESIGNATES A KEY CUSTOMER CHARACTERISTIC		MODEL	-	1 OF 1	1:4	A	SRK110
	DRAWN BY	JS	DATE	03/25/2014				