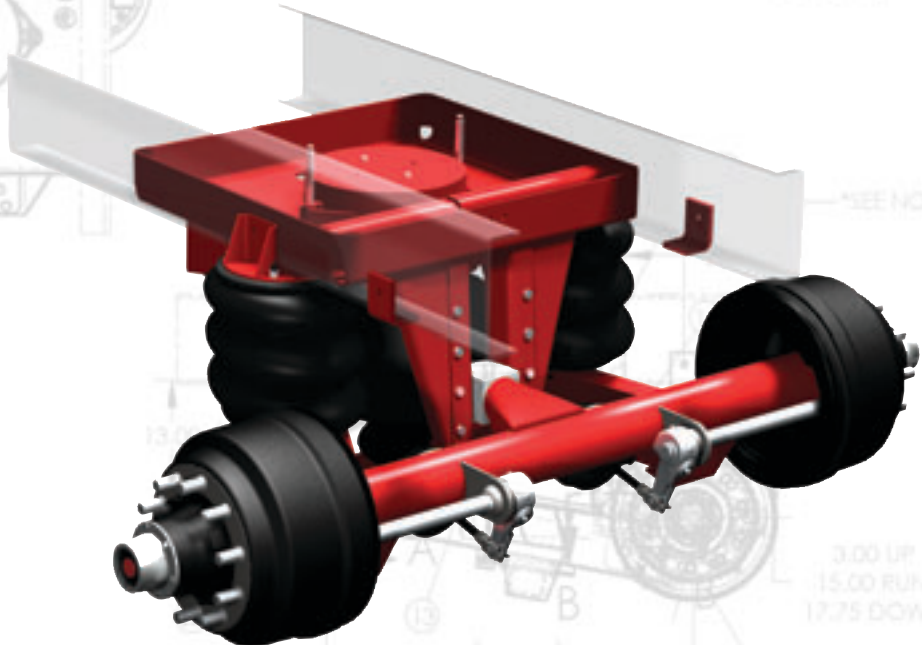




Watson Suspension Systems

# HIGH LIFT DRAW BAR NON-STEERABLE TAG LIFT AXLE SUSPENSION



## AL-1200/1600/1900DB Series

- 5 Year Warranty
- High Articulation
- Replaceable Wear Plates
- Factory Pre-Assembled
- 12,000, 16,000 and 19,000 lb. Capacity Available



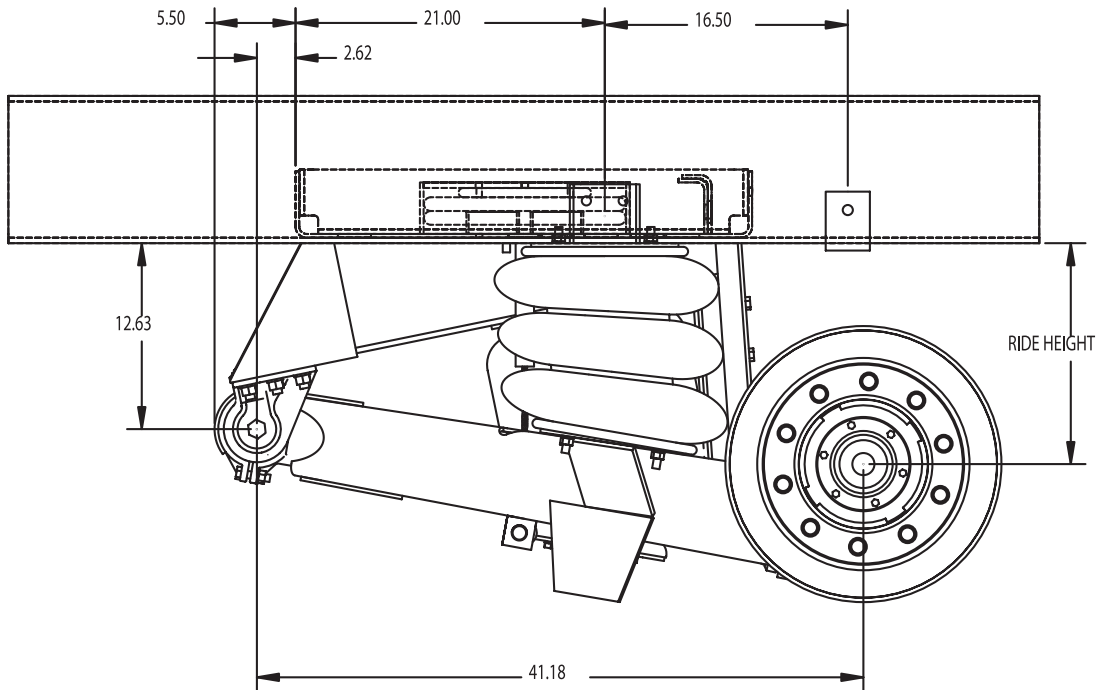
**LEADERSHIP IN SUSPENSION TECHNOLOGY**

# AL-1200/1600/1900DB SERIES

## HIGH LIFT NON-STEERABLE TAG LIFT AXLE

DESIGNED PRIMARILY FOR:

- CRANES
- MIXERS
- BLOCK HAULERS
- MATERIAL HANDLERS



- Reinforced Pan Cross Member
- Axle Travel: 18 in.
- Axle Lift Clearance: 12 in.
- Long Life Travel Block
- Air Ride - Air Lift
- Available Brakes: 16 ½ x 7 in. and 12 ¼ x 7 ½ in.



Watson Suspension Systems

972.547.6020 800.445.0736

FAX: 972.542.0097

2060 COUCH DRIVE MCKINNEY, TEXAS 75069

[www.WatsonSuspensions.com](http://www.WatsonSuspensions.com)