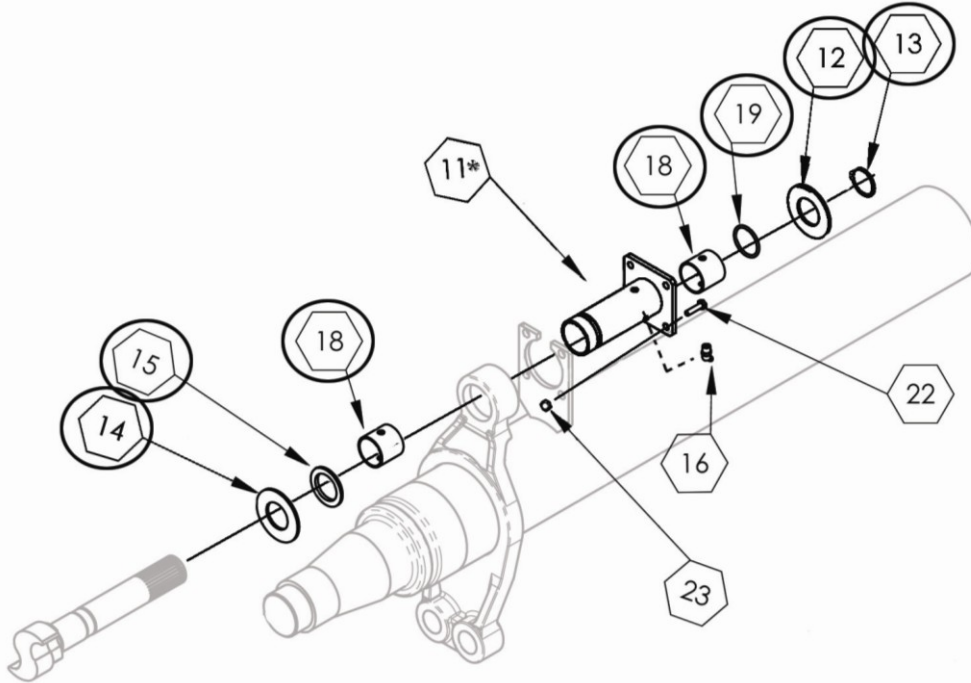


**BCBK10(N-P-L)  
& BCBK10-01**

**INTEGRA WATSON & CHALIN AXLE BRAKE PARTS  
(16.5 X 7) TI250-302T SERIES (1 PIECE SPIDER)**

**TI SERIES**



**BOTH KITS INCLUDE ITEMS LISTED WITH THESE EXCEPTIONS.  
ITEM 11 (INCLUDES 2 ITEMS 18) IN KIT BCBK10.  
(2 ITEMS 18 INCLUDED IN KIT BCBK10-01 WITH NO ITEMS 11, 16, 22 & 23.)  
REF: WATSON & CHALIN 19512**

**PARTS LIST**

Item	Qty. Per Brake		WC/ Vendor No.	Description
	BCBK10	BCBK10-01		
11*	1	0	Chart	CAMSHAFT ENCLOSURE (INCLUDED IN KIT BCBK10)
12	1	1	C15-0105	CAMSHAFT SPACER WASHER
13	1	1	C16-0301	CAM RETAINING RING
14	1	1	C15-0102	CAMSHAFT SPACER WASHER
15	1	1	C14-0201	SPIDER SEAL
16	2	0	407102	GREASE ZERK 1/8"NPT
18*	*	2	3309-2038-01	CAM ENCLOSURE BUSHING WITH HOLE
19	1	1	3955-2001	O-RING
22	4	0	10040	CAPSCREW .25 X 1.00 UNC
23	4	0	10027	.25 UNC LOCKNUT
Item 11 Chart	BCBK10		990457	* ITEM 18 SOLD SEPARATELY OR INCLUDED IN ITEM 11
	BCBK10N		990457N	
	BCBK10P		990457P	
	BCBK10L		990457L	



REV 7.15.2011