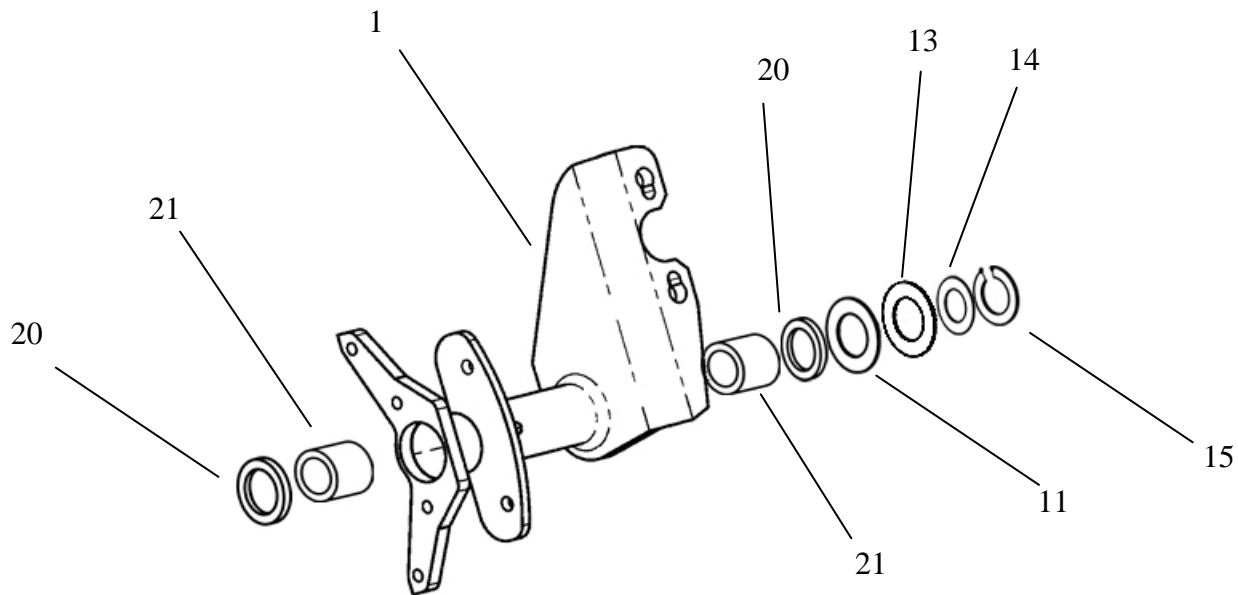


BBAK04**8K BRAKE BRACKET ASSEMBLY KIT
MERITOR 325 X 100MM (12.75X4)
SL085X, SL089X****SL/STL**

* BBAK04-10 & 11 LH
** BBAK04-20 & 21 RH

REF: Brake P/N 17815-(10/20) & (11/21)

PARTS LIST

No.	Qty. Per Brake	W/C No.	Description
1	1	FM983299Y6837 *	CHAMBER BRACKET LH
	1	FM983299Z6838 **	CHAMBER BRACKET RH
11	1	1229Q277	WASHER-FLAT
13	1	1229K4093	WASHER-FLAT
14	1	1229L4094	WASHER-FLAT
15	1	1229J4092P	CAMSHAFT RETAINER RING
20***	2	A1205D2110	SEAL CAMSHAFT (GREASE)
21***	2	1225R1136	BUSHING-CAMSHAFT
***	Parts sold separately or included in item #1		

Rev 10.14.2009



Watson Suspension Systems

725 E. University Drive • McKinney, Texas 75069 • (800) 445-0736 • (972) 547-6020 • Fax (972) 542-0097